



# 55 dBA\* Front Control Dishwasher

## WDF330PAH



Stainless Steel  
WDF330PAHS

### Also available in:

- White **WDF330PAHW**
- Black **WDF330PAHB**

### Capacity

Total Place Settings	13
----------------------	----

### General Features & Properties

Heavy Cycle

High Temperature Wash Option

Heated Dry Option

ENERGY STAR® Certified

Industry's Best Selling Dishwasher Brand†

Designed, Engineered and Assembled in the U.S.A. with American Pride

### Electrical Details

Amps	10
------	----

Volts	120
-------	-----

Hz	60
----	----

### Certifications

ENERGY STAR® Certified	Yes
------------------------	-----

### Technical Details

Dishwasher Type	Built-in
-----------------	----------

Control Location	Front
------------------	-------

Control Type	Push Button
--------------	-------------

Number of Wash Cycles	3
-----------------------	---

Number of Options	4
-------------------	---

dBA*	55
------	----

Number of Racks	2
-----------------	---

Tub Material	Plastic
--------------	---------

Wash System	Filter
-------------	--------

Wash System Type	Removable Filter
------------------	------------------

Number of Wash Arms	2
---------------------	---

Number of Wash Arms	2
---------------------	---

Number of Wash Arms	2
---------------------	---

### Dimensions

Product Dimensions (H x W x D)	34-1/2" x 23-7/8" x 24-1/2"
--------------------------------	-----------------------------

Depth with Door Open 90°	49-1/2"
--------------------------	---------

### Reference Material

[Dimension Guide](#)

[Install Guide](#)

[Use & Care Guide](#)

[Energy Guide](#)

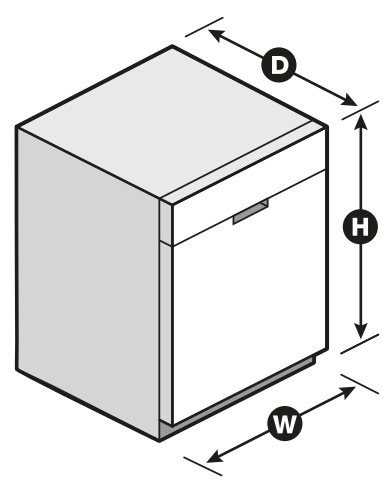
[Warranty](#)

### Key Features & Benefits

**1-Hour Wash Cycle**  
Clean dishes in half the time so your plates, pans and glasses are thoroughly cleaned up and taken care of in just an hour.\*\*

**Soil Sensor**  
Determines how dirty dishes are and adjusts the Normal cycle as needed to make sure dishes come out clean.

**Normal Cycle**  
Use for normal amounts of food soil to clean up leftover messes from your day-to-day meals.



\*Per IEC standards. \*\*Compared to Normal cycle with lightly soiled loads. †Based on 12-month average of sales. TraQline 2018. NOTE: Dimensions are for planning purposes only. For complete details, see Installation Instructions packed with product. Specifications subject to change without notice. ©/™ © 2020. All rights reserved. Printed in the U.S.A. D200052XXA. WDF330PAHSPECSHEETV01.