

## Samsung Panel-Ready WaterWall™ Dishwasher

# DW60M9990AP



Custom panel and handle not included.

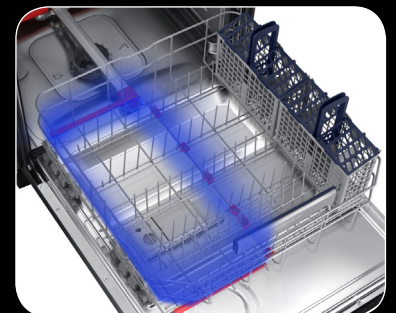
Panel ready design, seamlessly blends in with existing cabinetry.

AutoRelease™ Door automatically opens the door at the end of a cycle to circulate air and accelerate drying time.

WaterWall™ cleaning system delivers corner to corner coverage, so that even your dirtiest will come clean



WaterWall™ Linear Wash System



Zone Booster™

### Features

- Panel-Ready Design
- Third Rack
- Quiet Operation: 44 dBA
- 7 Wash Cycles (Including Chef Cycle)
- 7 Options
- Express Cycle: 60 Minutes
- One-Touch Adjustable Racking System
- 14 Place Settings
- Digital Water Leakage Sensor

- Child Lock
- Delay Start

### Rating

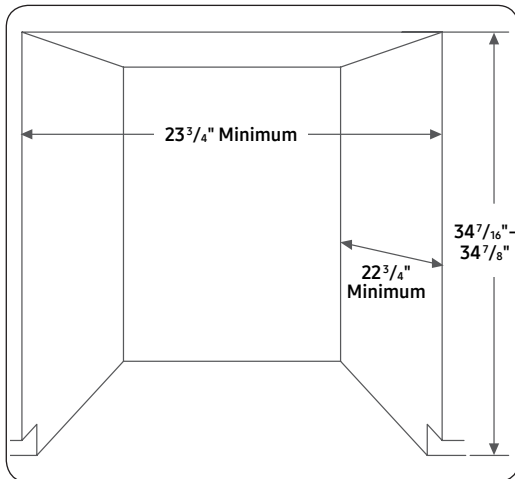


ENERGY STAR®-rated:  
239 kWh/yr

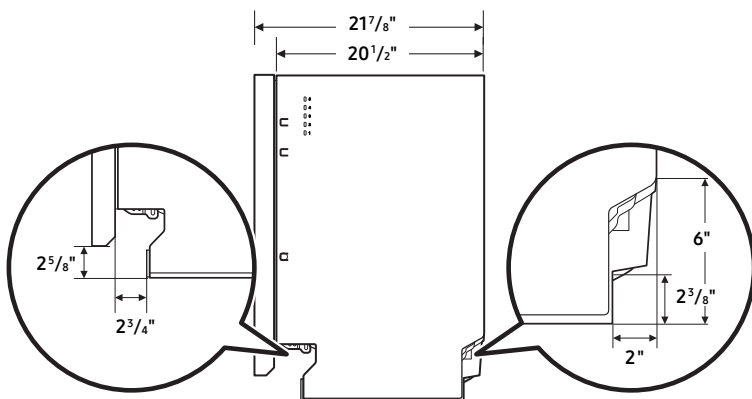
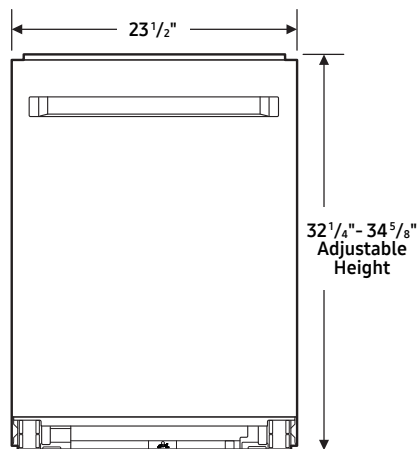
Samsung Panel-Ready WaterWall™ Dishwasher

## DW60M9990AP

### Installation Specifications



### Dimensions



### Features

- 7 Wash Cycles: Auto, Normal, Heavy, Delicate, Express 60, Self Clean, Chef
- 7 Options: Half-Load Wash (Lower Rack), Zone Booster™ (Left), Speed Booster, Hi-Temp Wash, Sanitize (Anti-bacterial—NSF®-Certified Sanitize Cycle), Delay Start, Control Lock
- AutoRelease™ Door
- Hidden Heat Element
- Stainless Steel Interior Tub

### Convenience

- Child Lock
- Digital Water Leakage Sensor
- One-Touch Adjustable Racking System
- Silverware Basket
- Upper Rack: 2 Cup Shelves, 2 Adjustable Tines
- Lower Rack: Fold-Down Tines

### Warranty

One (1) Year All Parts and Labor  
 Five (5) Year Limited on Printed Circuit Board and Interior Nylon Racks  
 Lifetime Limited Warranty on Stainless Steel Door Liner and Tub for Leakage

### Product Dimensions & Weight (WxHxD)

Dimensions: 23 1/2" x 32 1/4" - 34 5/8" x 21 7/8"

Weight: 95 lbs.

### Shipping Dimensions & Weight (WxHxD)

Dimensions: 26 3/4" x 34 3/4" x 26"

Weight: 101 lbs.

### Color

Panel Ready

### Model #

DW60M9990AP

### UPC Code

887276238081

Custom Cabinet Door Dimensions (WxH)	Net Width	23 <sup>25</sup> / <sub>64</sub>
	Net Height (minimum)	26 <sup>3</sup> / <sub>8</sub> "
	Net Height (maximum)	28 <sup>11</sup> / <sub>32</sub> " (29 <sup>17</sup> / <sub>32</sub> " when the thickness of the door is less than 5 <sup>5</sup> / <sub>8</sub> ")