

RF25HMEDBSR

33"-Wide, 25 cu. ft. 4-Door French Door Refrigerator with Counter-Height FlexZone™ Drawer

Features

- 33" Wide
- Large Capacity – 25 cu. ft.
- FlexZone™ Drawer with 4 Temperature Control Settings and Smart Divider
- Twin Cooling Plus®
- Ice Master Ice Maker in the Refrigerator
- Premium External Filtered Water and Ice Dispenser
- High-Efficiency Bottom and Side LED Lighting
- Adjustable Shelf for Tall, Oversized Items
- ENERGY STAR®-Compliant
- Stainless Steel Accents on Interior Shelving and Door Bins
- EZ-Open Handle™ on Freezer Door and FlexZone™ Drawer
- Two Humidity-Controlled Crispers
- Tempered Glass Spill-Proof Shelves
- Gallon Door Bins
- Auto Pull-Out Upper Freezer Drawer
- Easy-to-Access Water Filter

Convenience

- CoolTight Door
- Water Filter Indicator
- Door Alarm



ENERGY STAR®-rated: CEE Tier 1
(10% more efficient than Federal Standard)
687 kWh/yr



FlexZone™ Drawer



Ice Master Ice Maker

Available Colors



Stainless Steel
(shown)



Black Stainless Steel



White



Black

Signature Features

FLEXZONE™ DRAWER

- Counter-height drawer is optimized for family organization with easy access for kids.
- Adjustable Smart Divider and four customizable temperature control settings from Chill to Soft Freeze.

TWIN COOLING PLUS®

- Maintains cooling air for the refrigerator and freezer separately.
- Refrigerator air is kept at higher, near-commercial-grade humidity levels to keep perishable fruits and vegetables fresher longer.
- Drier air in the freezer means less freezer burn for better-tasting food.

ICE MASTER

- Produces up to 10 lbs. of ice per day and stores up to 4.2 lbs of ice.
- Space-saving design leaves more room in the refrigerator.

SAMSUNG

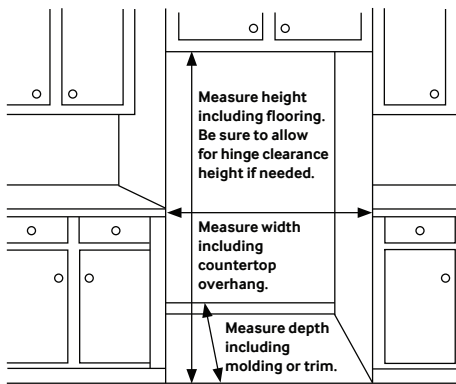
RF25HMEDBSR

33"-Wide, 25 cu. ft. 4-Door French Door Refrigerator with Counter-Height FlexZone™ Drawer

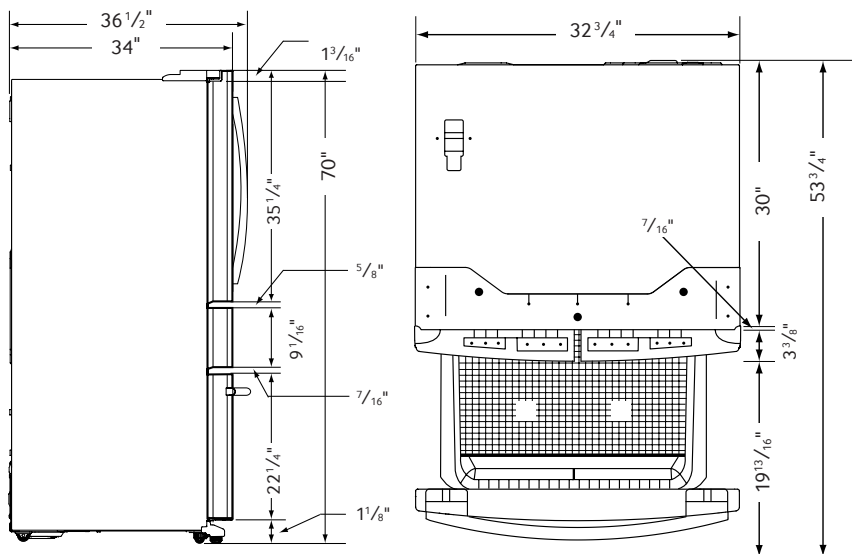
Installing Your Refrigerator

1. Measure the height, width and depth of the opening, making sure to include baseboards, molding tile, countertop overhang, etc. Check to be sure there is enough room to open the door (consider walls, islands or other obstacles when measuring).
2. Refer to illustration below to determine dimensions.
3. Allow 2" of clearance on hinge side of refrigerator when installing next to a wall where handle may make contact.
4. Allow 1" minimum clearance at rear for proper air circulation and water/electrical connections. Allow a 3/8" minimum clearance at sides and top for ease of installation.
5. Ensure each door and entryway in the home is wide enough for the refrigerator to be moved through easily.

Please note: The following dimension and cutout information is for planning purposes only. For complete installation details, consult manual packed with product, or download manual online at samsung.com.



Dimensions



Total Capacity: 24.73 cu. ft.

Refrigerator: 13.98 cu. ft.

- Premium External Filtered Water and Ice Dispenser – Crushed or Cubed Ice
- Ice Master Ice Maker
- 2 Humidity-Controlled Crispers
- 5 Tempered Glass Spill-Proof Shelves
- Adjustable Shelf for Tall, Oversized Items
- 6 Clear Door Bins
 - Right Door: 3 Gallon Bins
 - Left Door: 3 Regular Bins
- High-Efficiency Bottom and Side LED Lighting

FlexZone™ Drawer: 3.43 cu. ft.

- EZ-Open Handle™
- 4 Temperature Settings with Smart Divider:
 - Meat/Fish (29°F)
 - Cold Drinks (33°F)
 - Deli/Snacks (37°F)
 - Wine/Party Dishes (42°F)

Freezer: 7.32 cu. ft.

- EZ-Open Handle™
- 1 Drawer Divider
- High-Efficiency LED Lighting

Accessories

Water Filter: HAF-CIN

Warranty

One (1) Year Parts and Labor on Refrigerator

Five (5) Years Parts and Labor on Sealed Refrigeration System Only*

Ten (10) Years Parts and Five (5) Years Labor on Digital Inverter Compressor

*Compressor, evaporator, condenser, drier, connecting tubing

Product Dimensions & Weight

Dimensions (WxHxD with hinges, handles and doors):

32 3/4" x 70" x 36 1/2"

Dimensions (WxHxD without hinges and door):

32 3/4" x 68 7/8" x 29 5/8"

Dimensions (WxHxD with hinge and door, no handle):

32 3/4" x 70" x 34"

Weight: 339.5 lbs.

Shipping Dimensions & Weight (WxHxD)

Dimensions: 35 1/4" x 76" x 36 1/4"

Weight: 363.8 lbs.

Color

Stainless Steel

Black Stainless Steel

White

Black

Model

RF25HMEDBSR

RF25HMEDBSG

RF25HMEDBWW

RF25HMEDBBC

UPC Code

887276966069

887276139760

887276967684

887276967677

SAMSUNG

Actual color may vary. Design, specifications, and color availability are subject to change without notice. Non-metric weights and measurements are approximate.

©2016 Samsung Electronics America, Inc. 85 Challenger Road, Ridgefield Park, NJ 07660. Tel: 800-SAMSUNG. samsung.com. Samsung is a registered trademark of Samsung Electronics Co. Ltd.