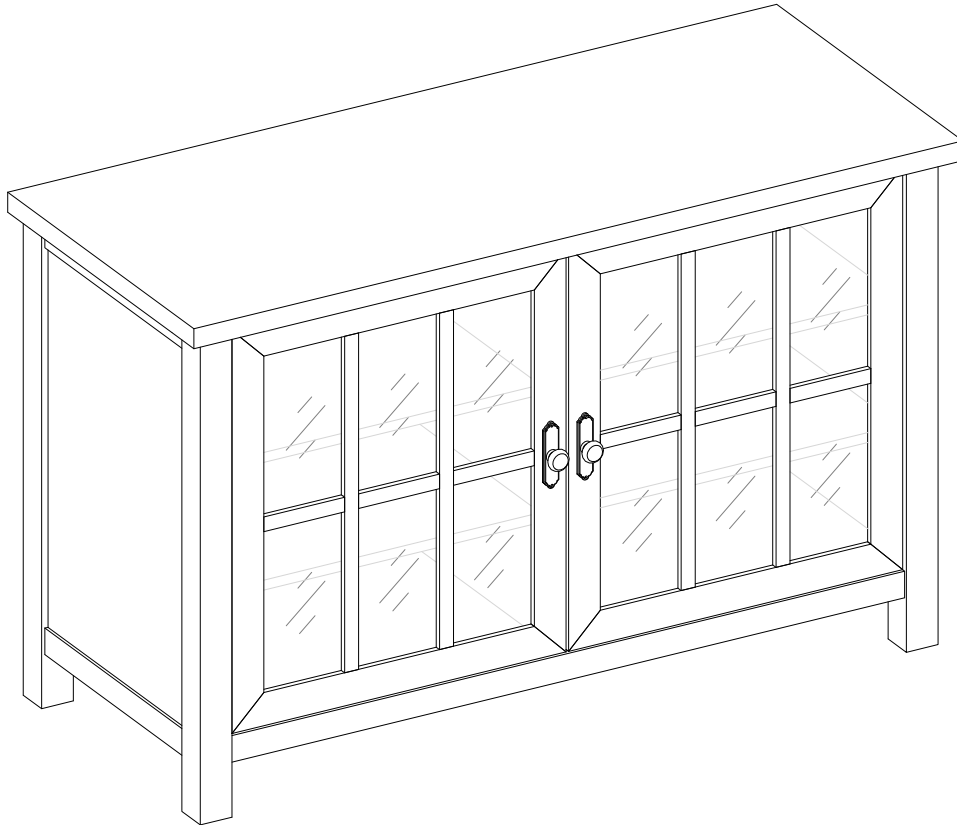


## Oxford Square Media & Accent Cabinet Stock # BH15-084-899-07



### **ADULT ASSEMBLY REQUIRED**

If you have any questions regarding assembly or if parts are missing, DO NOT return this item to the store where it was purchased. Please call our customer service number and have your instructions and parts list ready to provide the model name, part name or factory number:

**1-866-942-5362**

Pacific Standard Time: 8:30 a.m. - 4:30 p.m., Monday - Friday

Or visit our web site 24 hours a day, 7 days a week for product assistance at

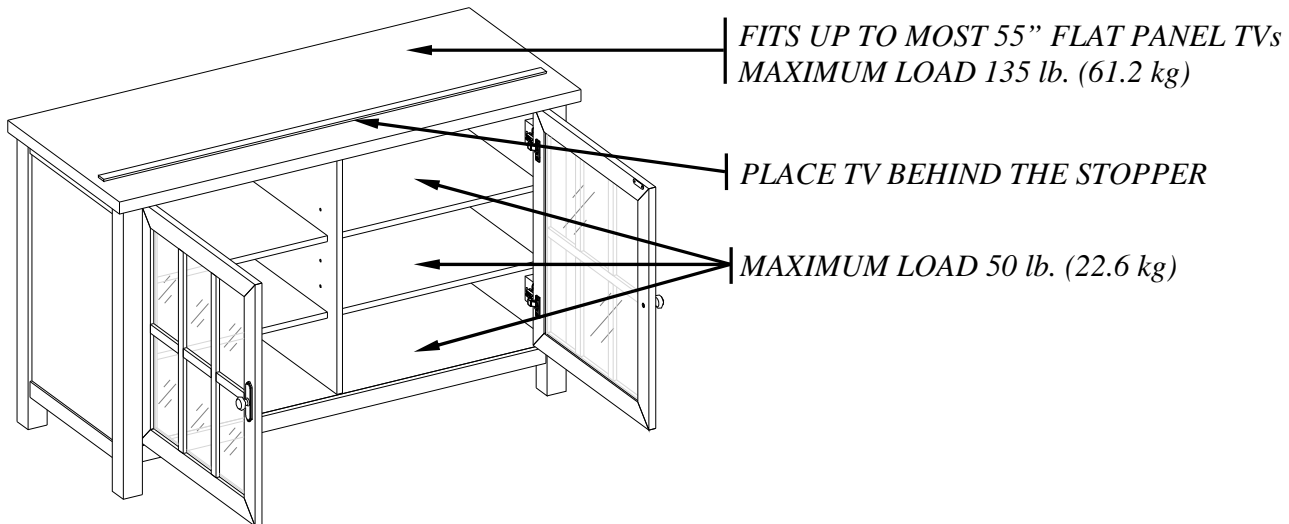
**[www.whalenstyle.com](http://www.whalenstyle.com)**

Or e-mail your request to **[parts@whalenfurniture.com](mailto:parts@whalenfurniture.com)**

**THIS INSTRUCTION BOOKLET CONTAINS IMPORTANT SAFETY INFORMATION.  
PLEASE READ AND KEEP FOR FUTURE REFERENCE.**

**MAXIMUM RECOMMENDED WEIGHT LOADS**

MANUFACTURER: Whalen Furniture Manufacturing  
 CATALOG: Oxford Square Media & Accent Cabinet (BH15-084-899-07)  
 DATE OF MANUFACTURE: June 2015  
 MADE IN CHINA



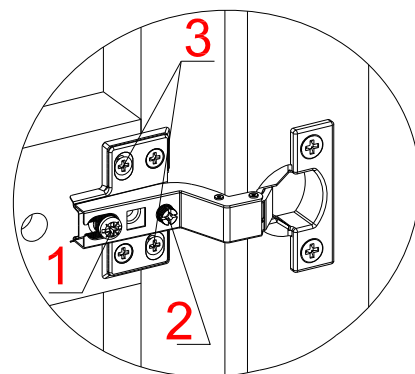
**WARNING**

THIS UNIT IS NOT INTENDED FOR USE WITH CRT TVS. USE ONLY WITH FLAT PANEL TVS AND AUDIO/VIDEO EQUIPMENT MEETING RECOMMENDED SIZE AND WEIGHT LIMITS. NEVER USE WITH LARGER/HEAVIER THAN RECOMMENDED FLAT PANEL TVS OR EQUIPMENT. TO AVOID INSTABILITY, PLACE FLAT PANEL TV IN THE CENTRE OF THE UNIT; THE BASE OF THE TELEVISION MUST BE ABLE TO REST ON THE SUPPORTING SURFACE OF THE UNIT WITHOUT OVER-HANGING THE EDGES. IMPROPERLY POSITIONED FLAT PANEL TVS, OR FLAT PANEL TVS OR OTHER EQUIPMENT THAT EXCEED RECOMMENDED SIZE AND WEIGHT LIMITS COULD FALL OFF OR BREAK THE UNIT, CAUSING POSSIBLE SERIOUS INJURY.

**How to adjust the European adjustable hinges on doors**

Shipping may cause doors to become out of alignment. If you find that the doors need to be adjusted slightly, turn the appropriate screw as illustrated below.

1. TO ADJUST THE DOOR FORWARD OR BACKWARD.
2. TO ADJUST THE DOOR TO RIGHT OR TO LEFT.
3. TO ADJUST THE DOOR UP OR DOWN.



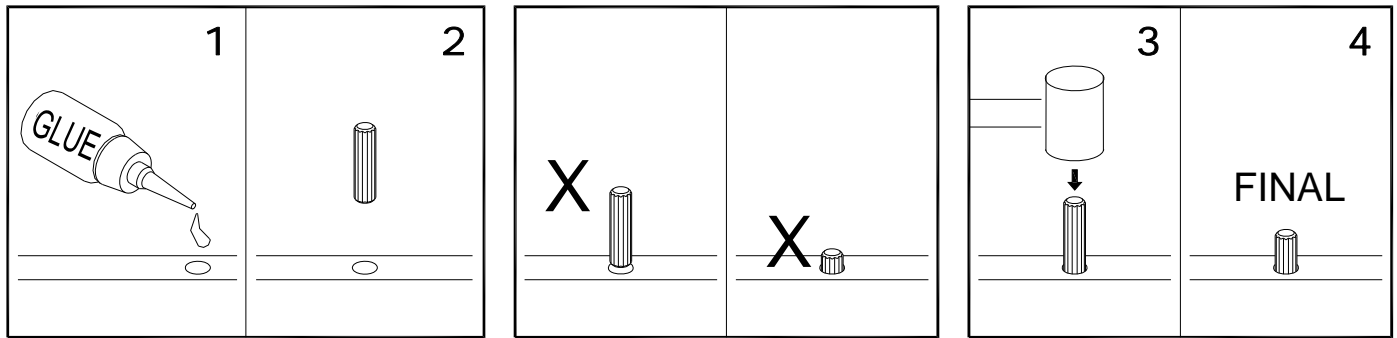
Please call for replacement parts or assistance: 1-866-942-5362  
 Whalen Furniture Manufacturing

## Important

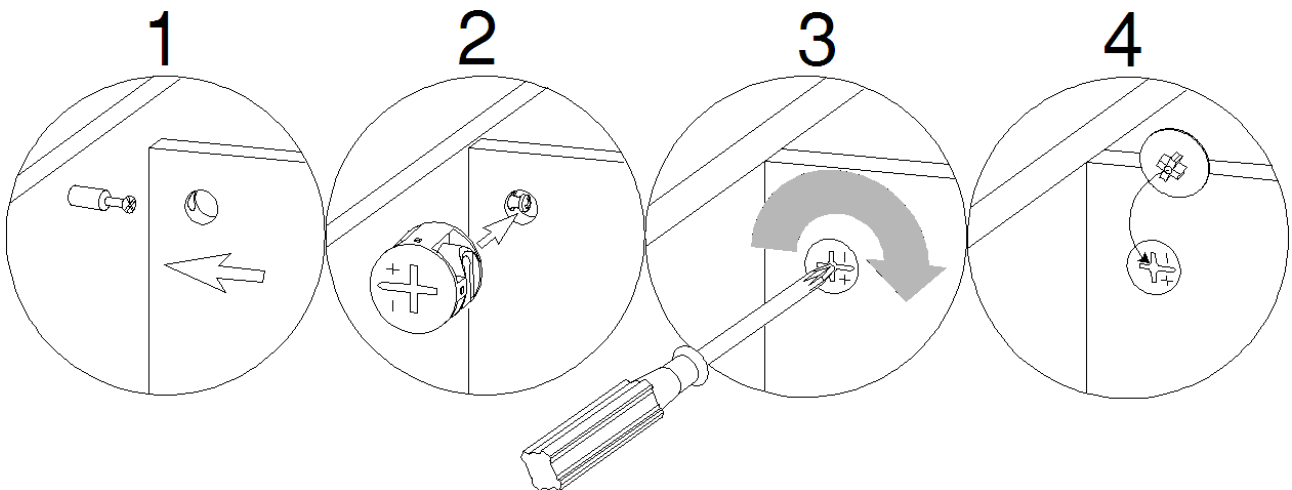
**Before you begin:** Open, identify and count all parts prior to assembly. Lay out parts on a flat and non-abrasive surface. You will need the parts identified on page 4 and 5 of this instruction manual.

**NOTE:** IT IS VERY IMPORTANT TO USE GLUE WITH DOWELS. EXCESS GLUE CAN BE WIPED OFF WITH DAMP CLOTH.

Insert Dowel at least half way by tapping lightly with a rubber mallet, IF NECESSARY.



## CAM LOCK SYSTEM OPERATION



## HOW THE KNOCK DOWN (KD) ASSEMBLY SYSTEM WORKS

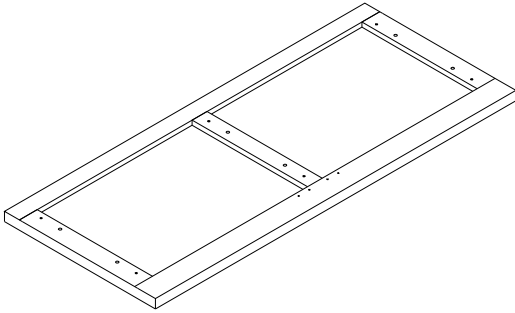
1. Screw the Cam Bolt into the threaded inserts on the panel. Connect both panels together; making sure Cam Bolt goes into the pre-drilled hole on the end of panel for Cam Lock.
2. Insert the Cam Lock into the pre-drilled large hole on the panel. Make sure the arrow on the face of Cam Lock faces out and points towards Cam Bolt.
3. Take a Phillips screwdriver and rotate the Cam Lock clockwise to lock the Cam Bolt in place.
4. Plug the Cam Lock Cover into the cross slot of the Cam Lock to conceal the Cam.

**You are now ready to assemble the KD unit.**

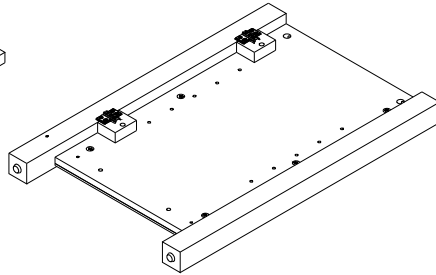
**Please call for replacement parts or assistance: 1-866-942-5362**

### Parts and Hardware List

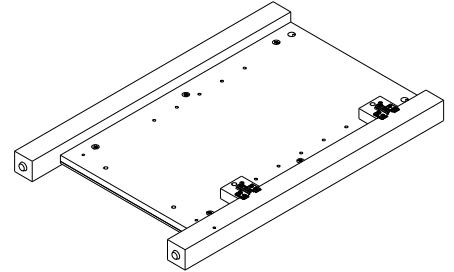
Please read completely through the instructions and verify that all listed parts and hardware are present before beginning assembly.



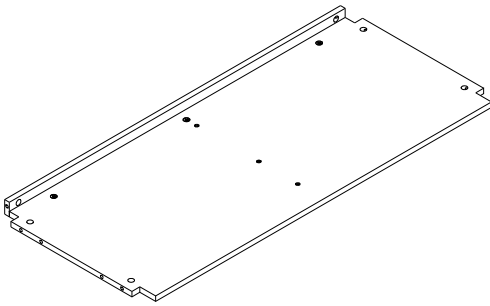
A- Top Panel (1)



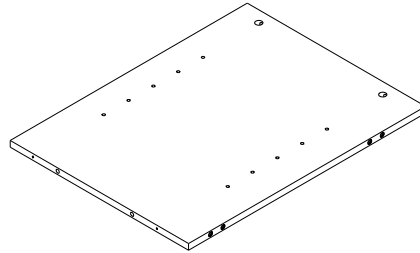
B- Left Side Frame (1)



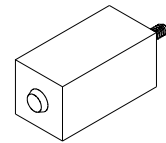
C- Right Side Frame (1)



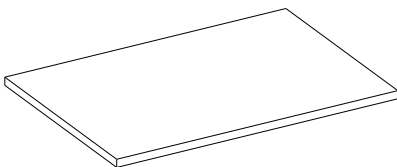
D- Bottom Panel (1)



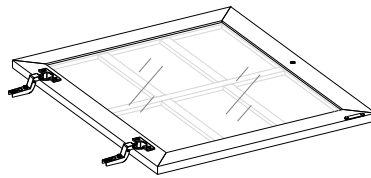
E- Partition Panel (1)



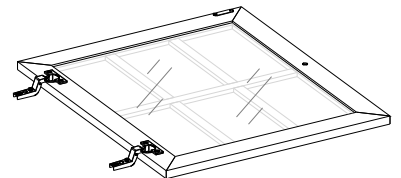
F- Center Support with Leveler (1)



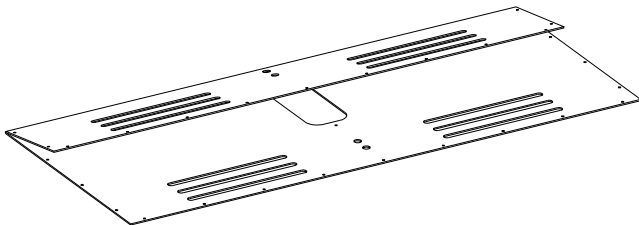
G- Adjustable Shelf (4)



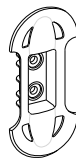
H- Left Door (1)



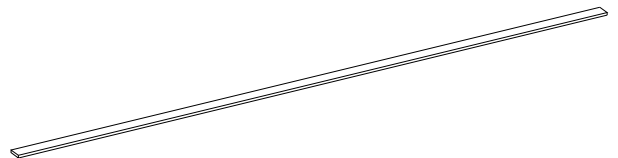
I- Right Door (1)



J- Back Panel (1)



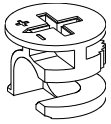
K- Cable Wheel (2)



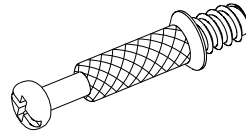
L- Stop Rail (1)

## Parts and Hardware List

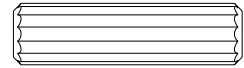
Please read completely through the instructions and verify that all listed parts and hardware are present before beginning assembly.



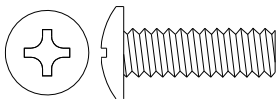
(1) Cam Lock  
(12+1 extra)



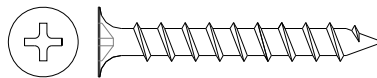
(2) Cam Bolt  
(12+1 extra)



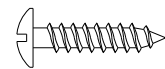
(3) M8 x 30 mm Wood Dowel  
(12+1 extra)



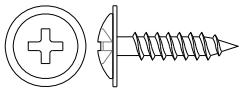
(4) 3/4" Bolt  
(4+1 extra)



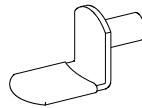
(5) 1-1/2" Screw  
(2+1 extra)



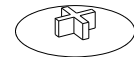
(6) #5 x 5/8" Screw  
(4+1 extra)



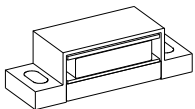
(7) #3 x 5/8" Washer Head Screw  
(32+1 extra)



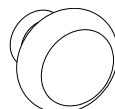
(8) Shelf Support  
(16+1 extra)



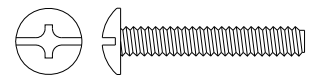
(9) Cam Lock Cover  
(18+1 extra)



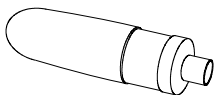
(10) Magnetic Catch (2)



(11) Knob (2)



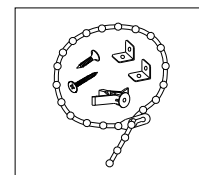
(12) Knob Bolt (2)



Glue (1)



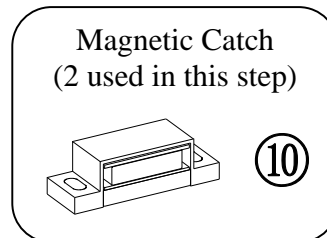
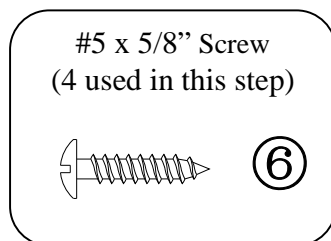
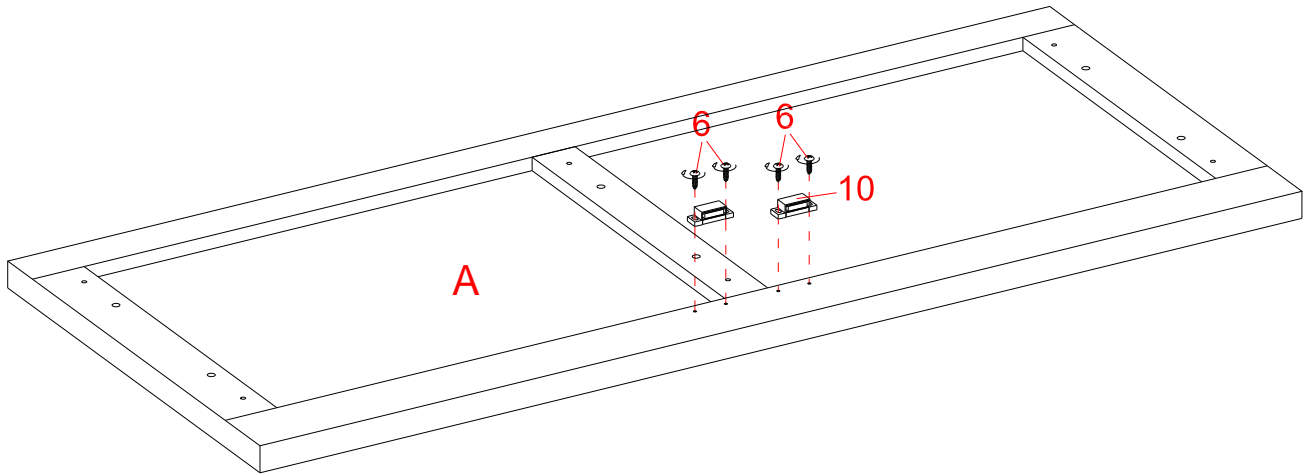
Touch-up Pen (1)



Tipping Restraint Hardware Kit (2)  
(Included in plastic bag)

Tools required: Phillips screwdriver and hammer (not provided).

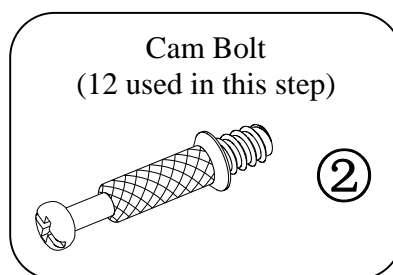
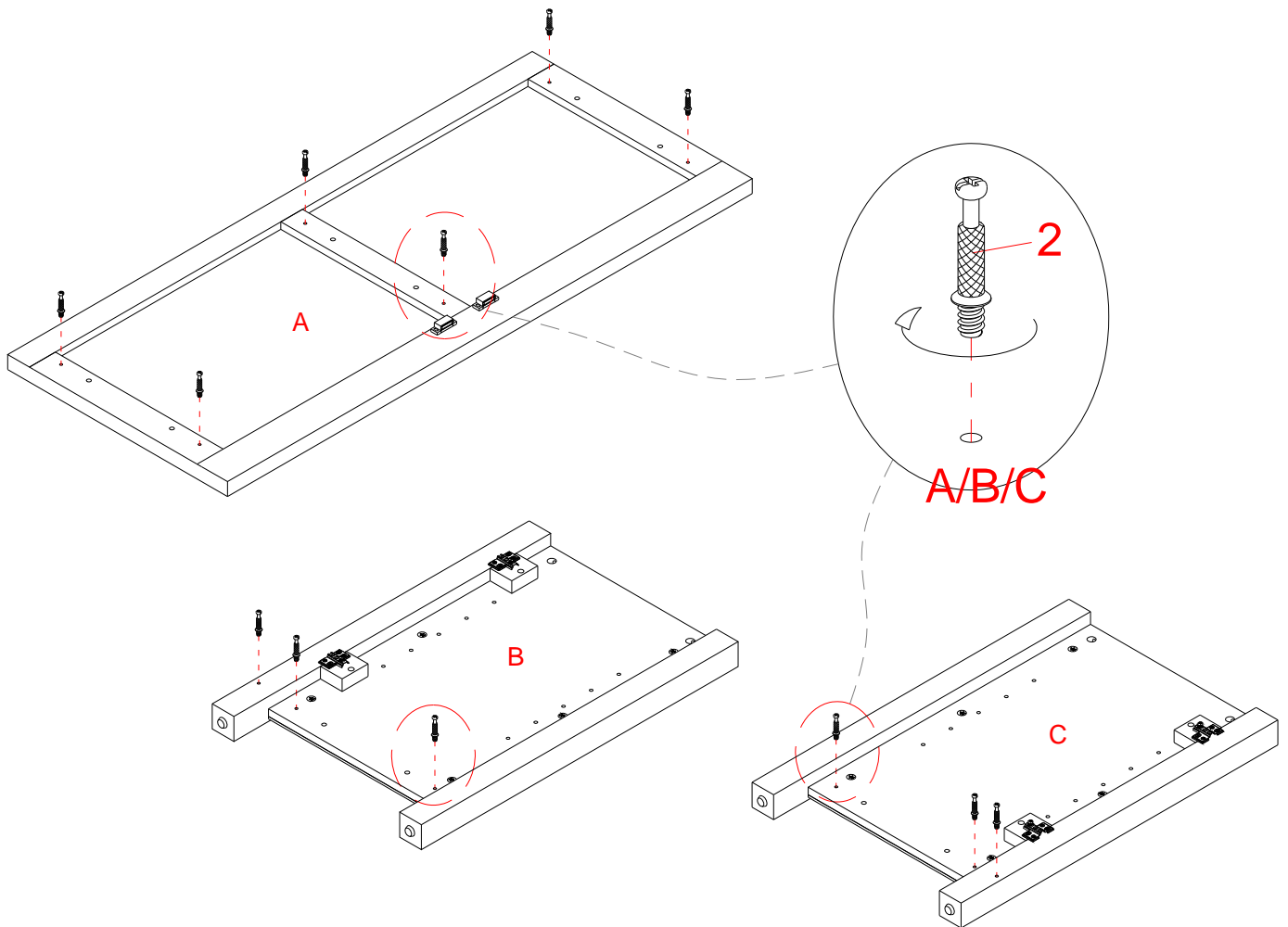
## Assembly Instructions



1. Unpack the unit and confirm that you have all the hardware and required parts listed. Assembly the unit on a carpeted floor or the empty carton to avoid any scratch.
2. Locate the Top Panel (A) with the drilled holes facing up. Align two Magnetic Catches (10) with the pilot holes on the Top Panel (A) making sure the magnetic plates face the closest edge, then attach the Magnetic Catches (10) using two #5 x 5/8" Screws (6) per catch.

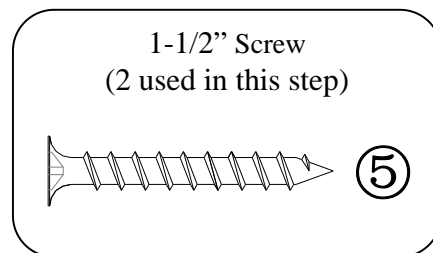
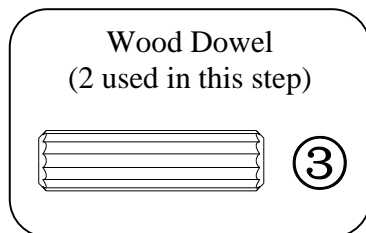
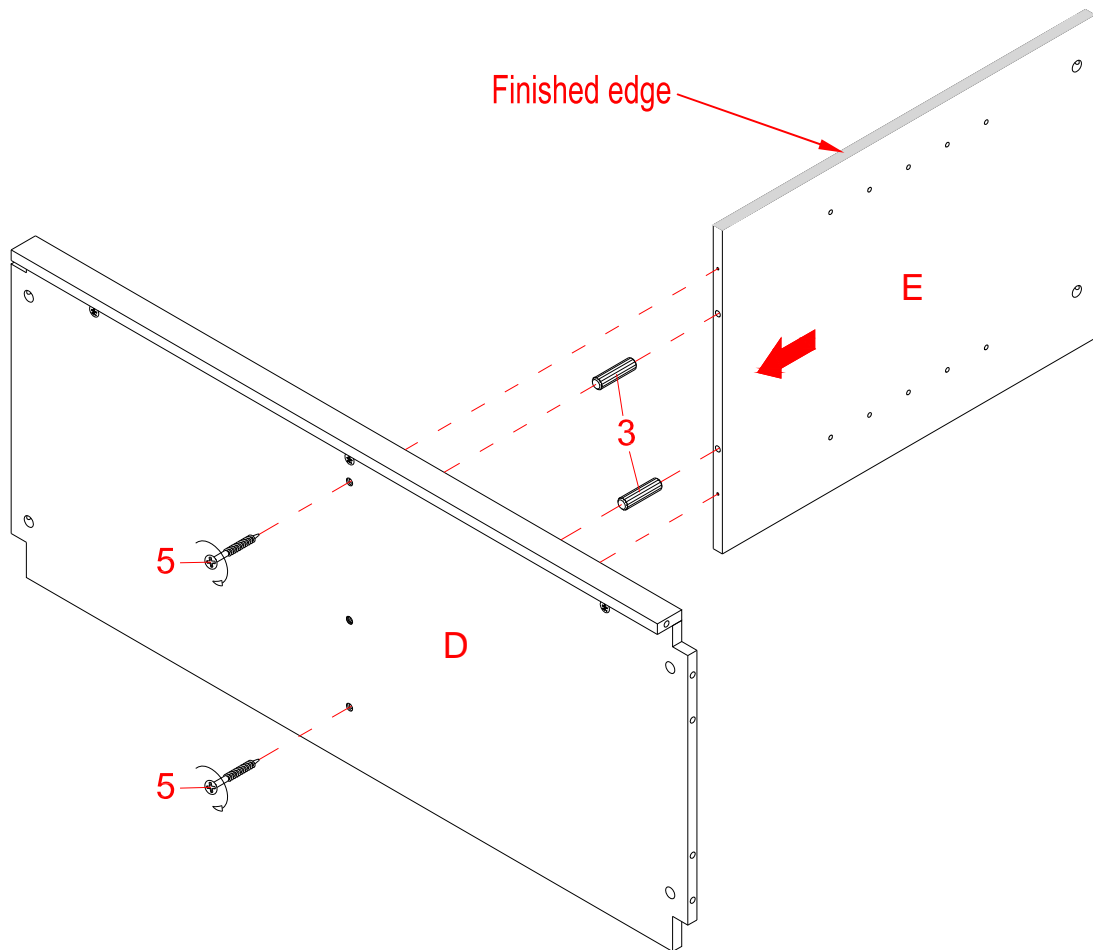
Please call for replacement parts or assistance: 1-866-942-5362

## Assembly Instructions



3. Securely screw the Cam Bolts (2) into the designated small holes on the Top Panel (A), Left and Right Side Frames (B and C), as shown in the illustration.

## Assembly Instructions

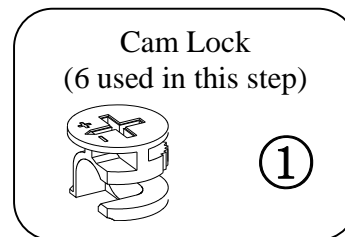
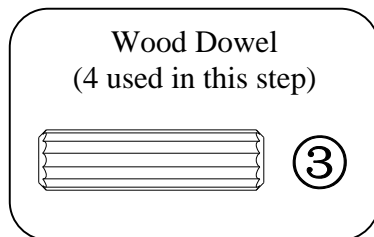
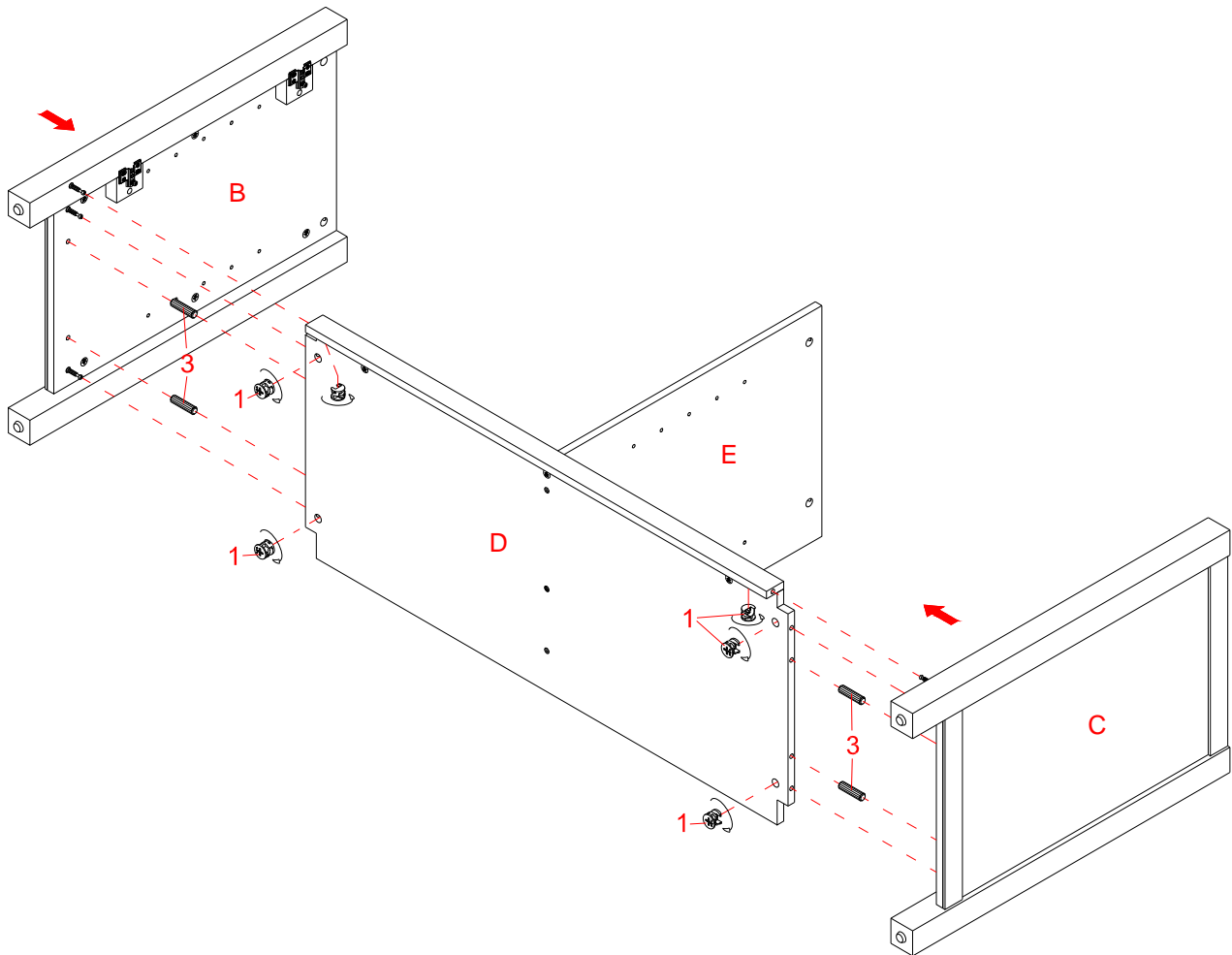


4. Insert 2 Wood Dowels (3) into the inner holes on the bottom edge of Partition Panel (E). Tap in with a rubber mallet, if necessary. Make sure that you use a small amount of glue with both ends of all dowels.  
**NOTE:** It is very important to use a small amount of glue on both ends of dowels.
5. Align the inserted Wood Dowels (3) on the Partition Panel (E) with the drilled holes on the Bottom Panel (D) and press them together. As shown. Make sure that the finished edge of the Partition Panel (E) points towards the molding of the Bottom Panel (D). Insert two 1-1/2" Screws (5) through the drilled holes on the Bottom Panel (D) and securely screw into the bottom holes on the Partition Panel (E).

Please call for replacement parts or assistance: 1-866-942-5362



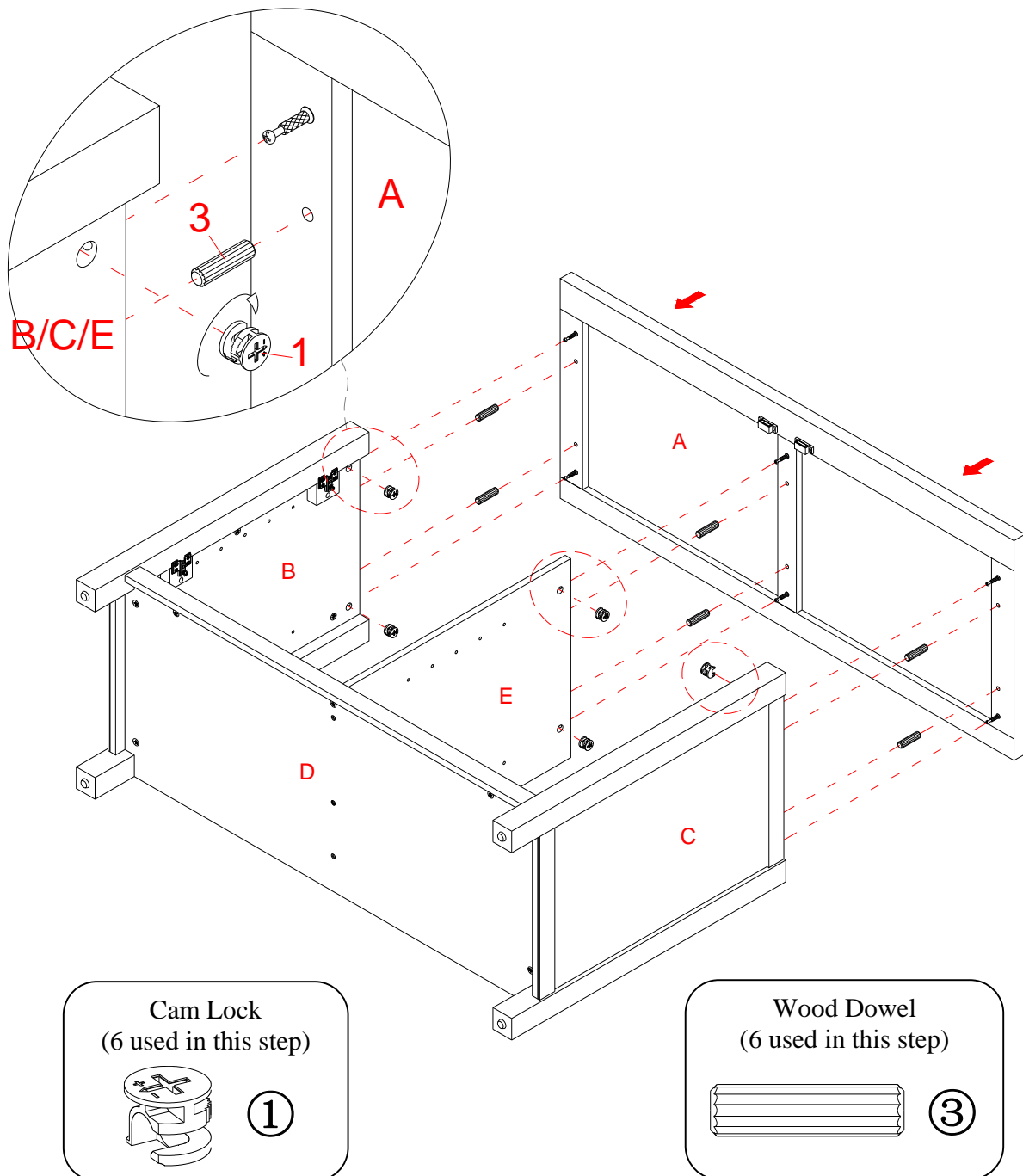
## Assembly Instructions



6. Insert four Wood Dowels (3) into the inner holes on both ends of the Bottom Panel (D). **DO NOT** insert the Wood Dowels into the Cam Bolt holes.
7. Align the bottom holes on the Left Side Frame (B) with the inserted Wood Dowels (3) on the Bottom Panel (D) and press them together. Fasten the Left Side Frame (B) in place by engaging 3 Cam Locks (1) (Refer to page 3 on Cam Lock system operation supplement).
8. Repeat this procedure to attach the Right Side Frame (C) at the opposite end.

Please call for replacement parts or assistance: 1-866-942-5362

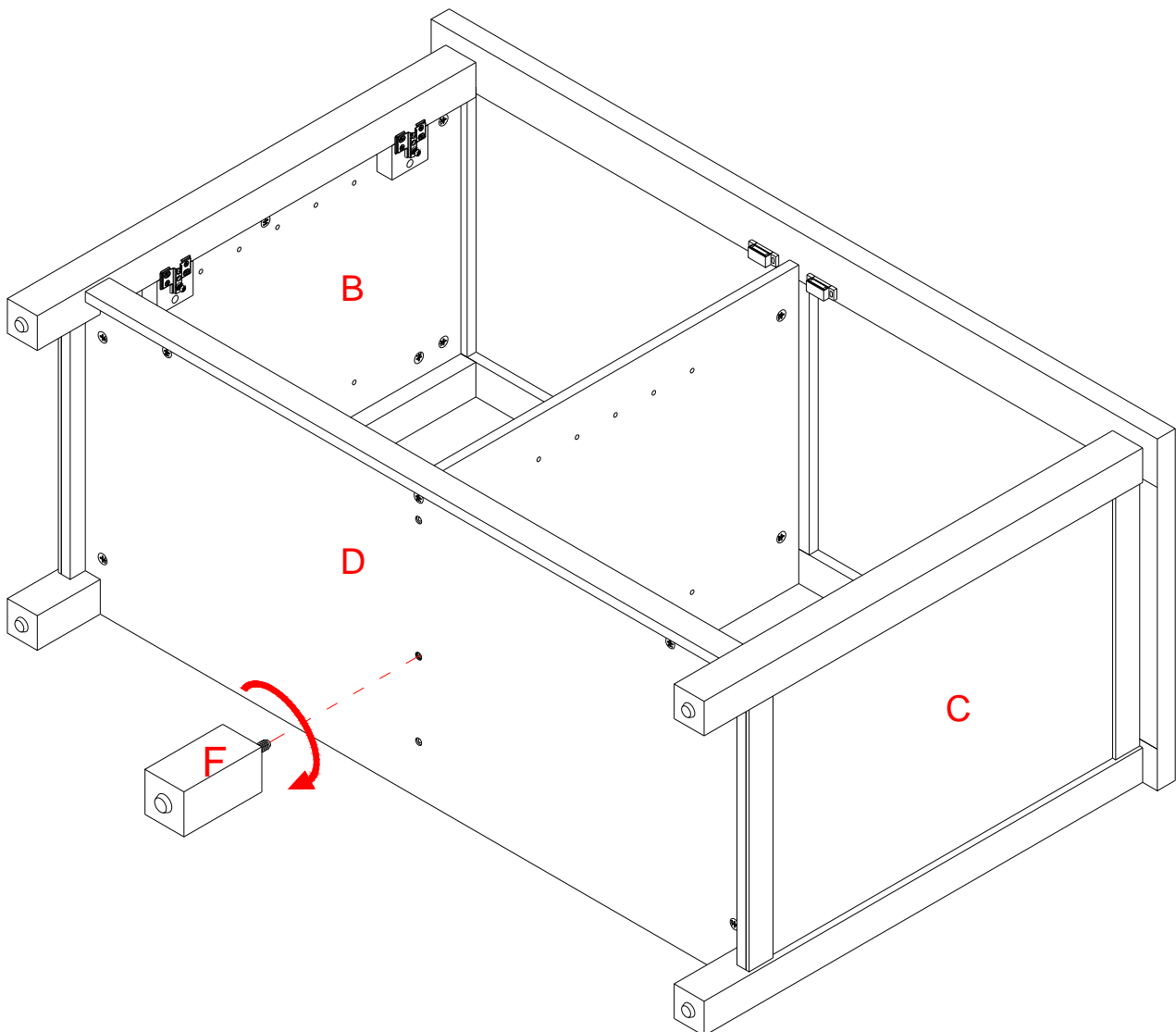
## Assembly Instructions



9. Insert six Wood Dowels (3) into the inner holes on the top edge of the Side Frames (B and C) and the Partition Panel (E).
10. Ask for assistance to position the Top Panel (A) onto the inserted Wood Dowels (3) on the assembled unit making sure the back edges are even with each other. Attach the Top Panel (A) in place by engaging six Cam Locks (1).

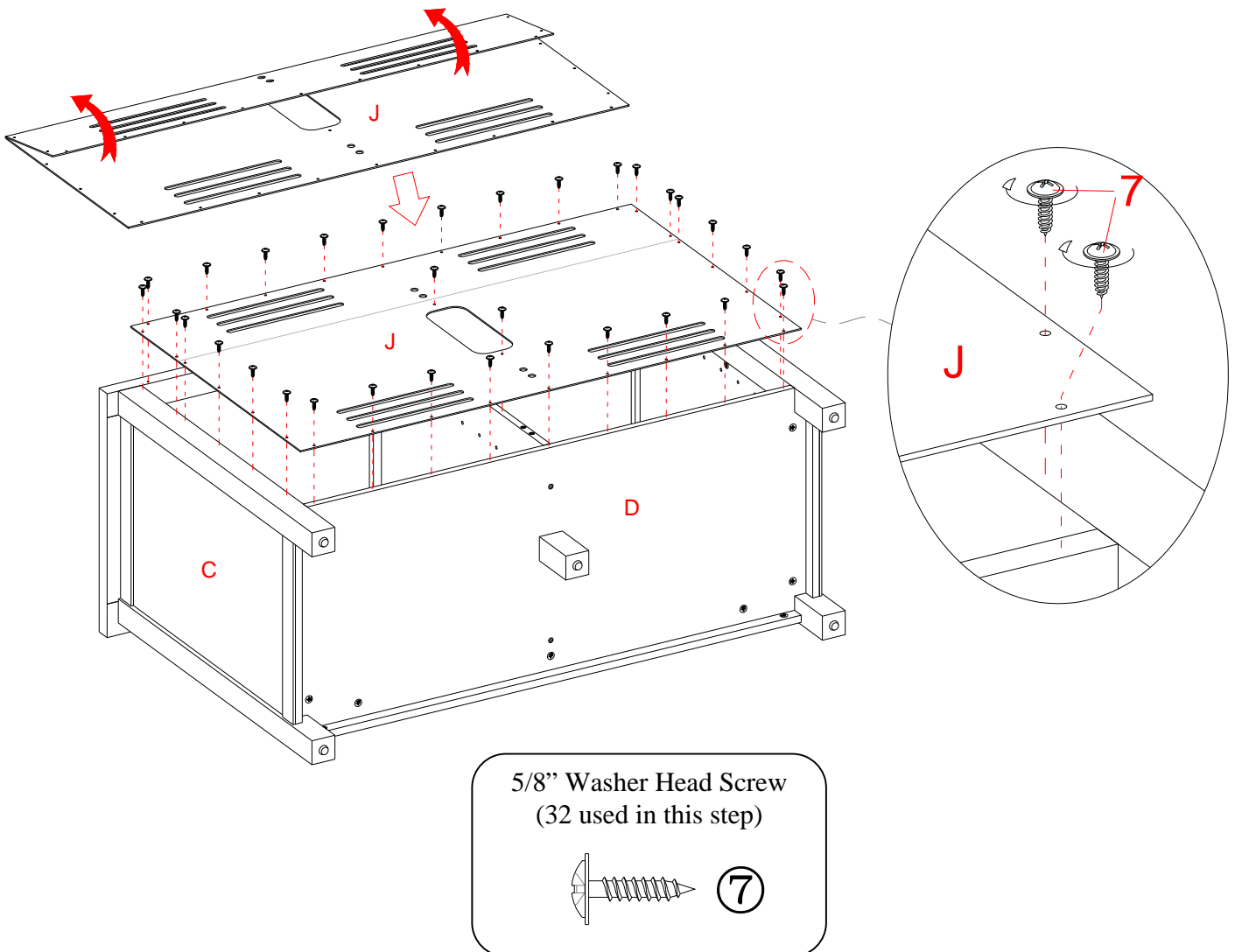
Please call for replacement parts or assistance: 1-866-942-5362

## Assembly Instructions



11. Tightly screw the Center Support (F) into the threaded hole on the Bottom Panel (D) and set the adjustable floor leveler to the correct height.

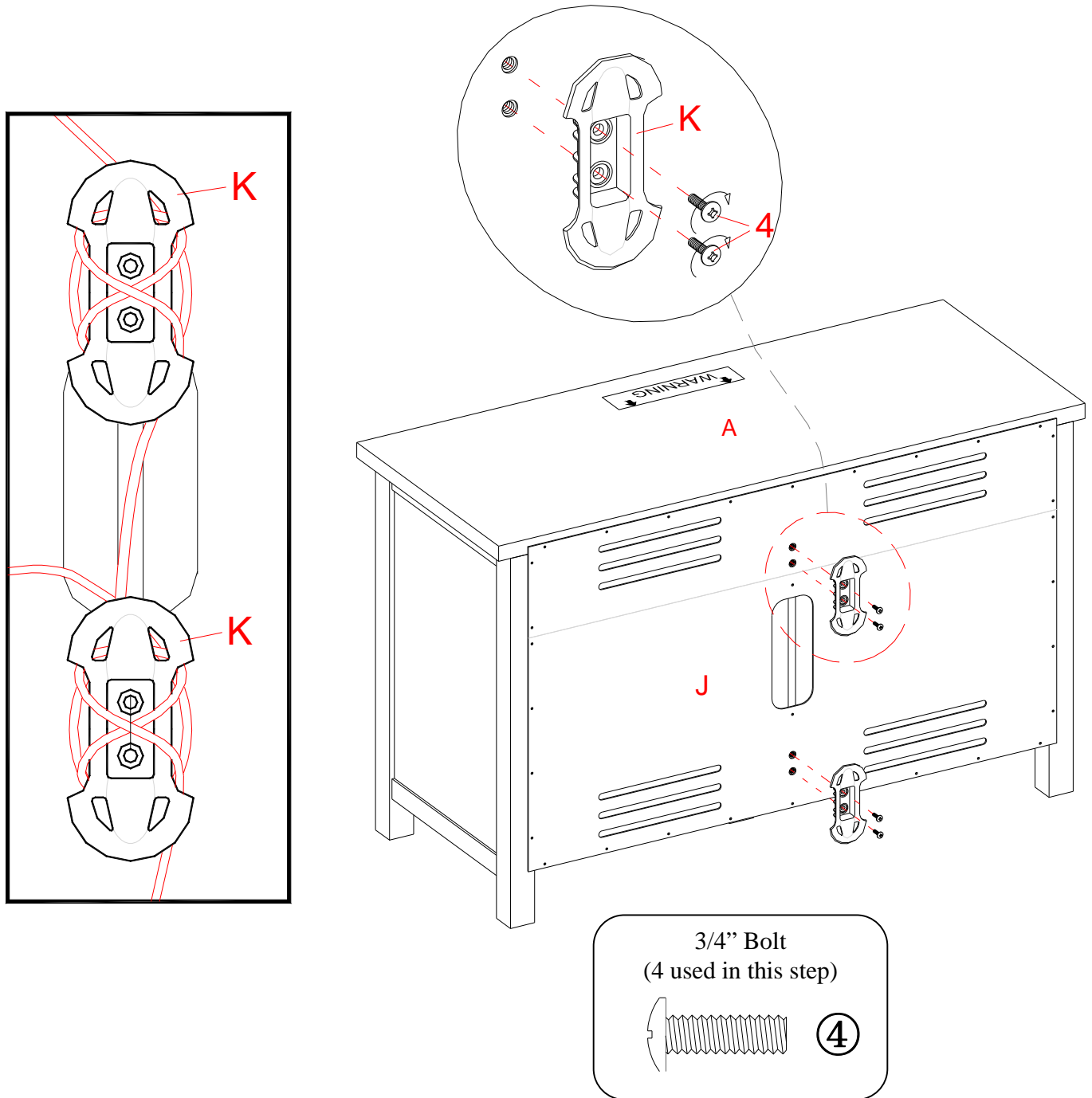
## Assembly Instructions



12. Now, go back and securely tighten all the Cam Locks and Wood Screws. Make sure that all the parts are tight and there are no gaps between the pieces. This will help keep the unit square.
13. Ask for help to flip the assembled unit around at its front edge.
14. Unfold the Back Panel (J) and lay it onto the back of the assembled unit. Make sure that the mounting holes for the Cable Wheels (K) on the Back Panel (J) align with the threaded inserts on the back of Partition Panel (E) properly and the overlaps on the panels are even all the way around. Secure the Back Panel (J) in place by screwing the 5/8" Washer Head Screws (7) into the pilot holes on the Back Panel.

**NOTE:** We recommend attaching the back panel with the screws at the top edge first.

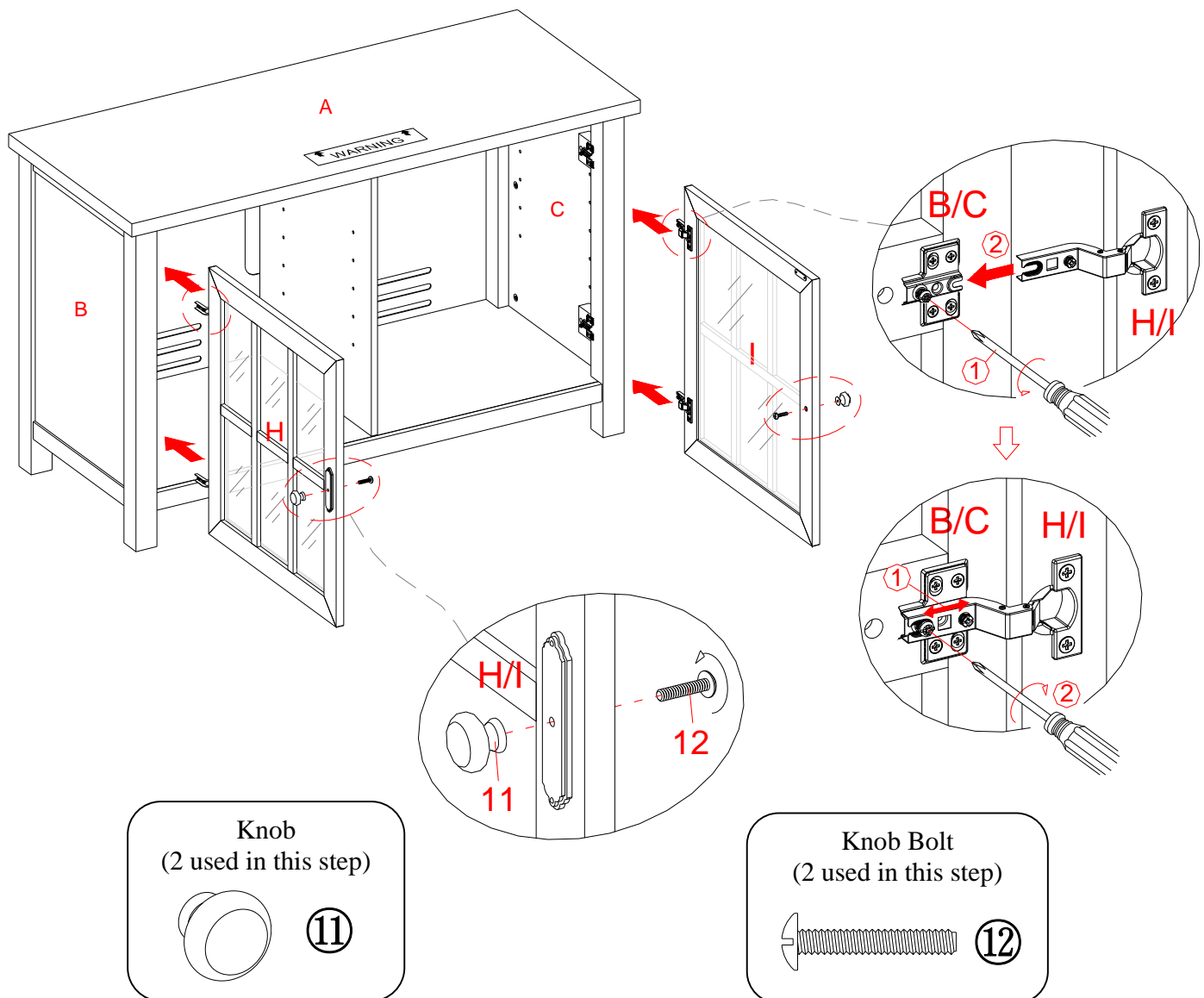
## Assembly Instructions



15. Stand the assembled unit upright.

16. Attach 2 Cable Wheels (K) to the center of the Back Panel (J) using two 3/4" Bolts (4) per wheel. You can use the Cable Wheels to organize your cables and cords.

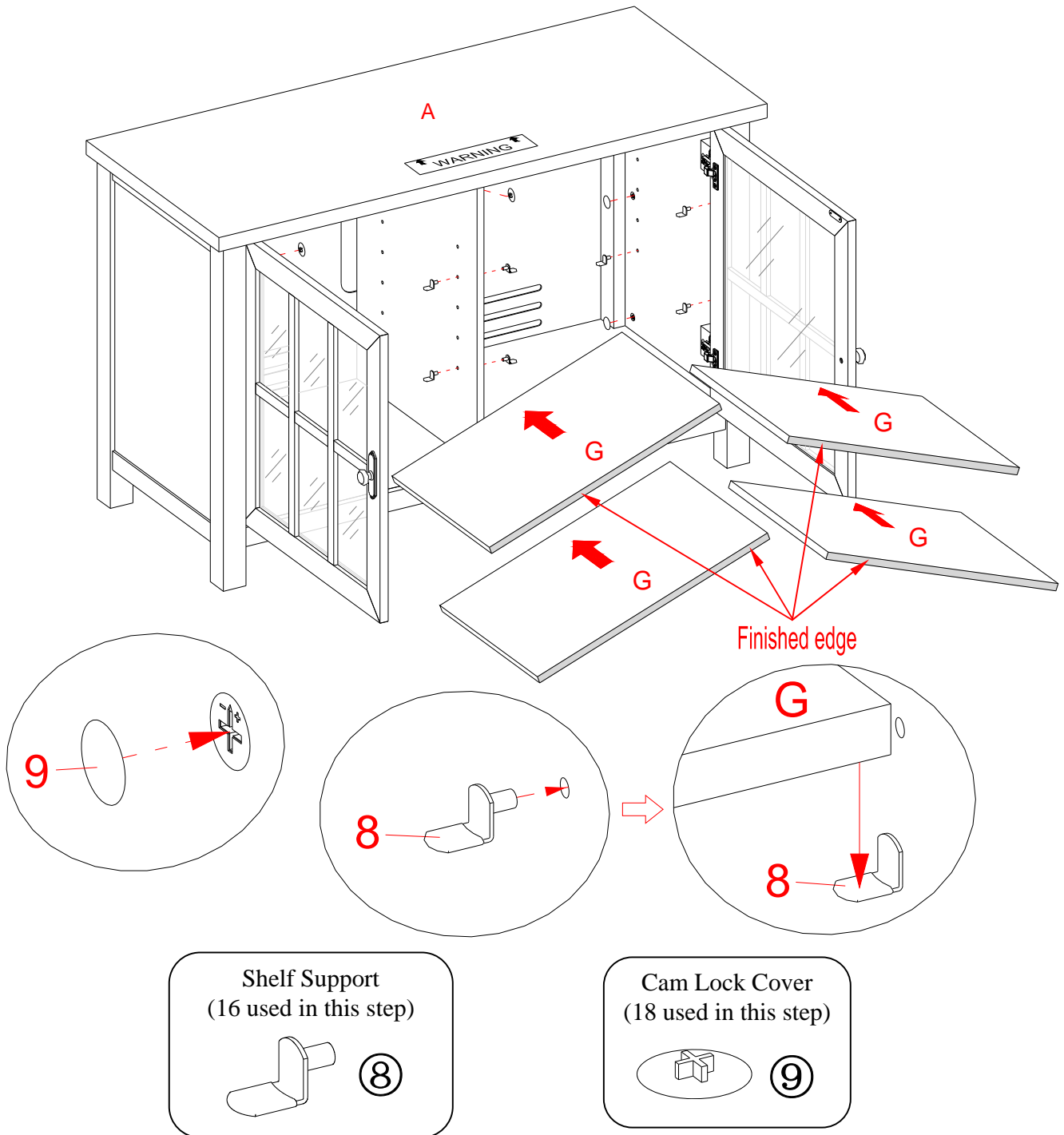
## Assembly Instructions



17. Attach one Knob (11) to the front side of each Door (H and I) with the provided Knob Bolt (12).
18. Extend the 2 Hinge Arms that are pre-attached on the Right Door (I) and attach them to the Hinge Bases on the Right Side Frame (C). Loosen the bolt on the back of Hinge Base for an easy fit. Align and insert the “U” slot on Hinge Arm under the bolt head on the back of Hinge Base. Make sure that both door hinges engage and function properly. Tighten the bolt on the Hinge Base to lock the hinges in place.
19. Repeat the same procedure to attach the Left Door (H) to Left Side Frame (B).
20. Open and close the doors to make sure they are aligned and shut correctly. If necessary, adjust the screws for a good fit.

Please call for replacement parts or assistance: 1-866-942-5362

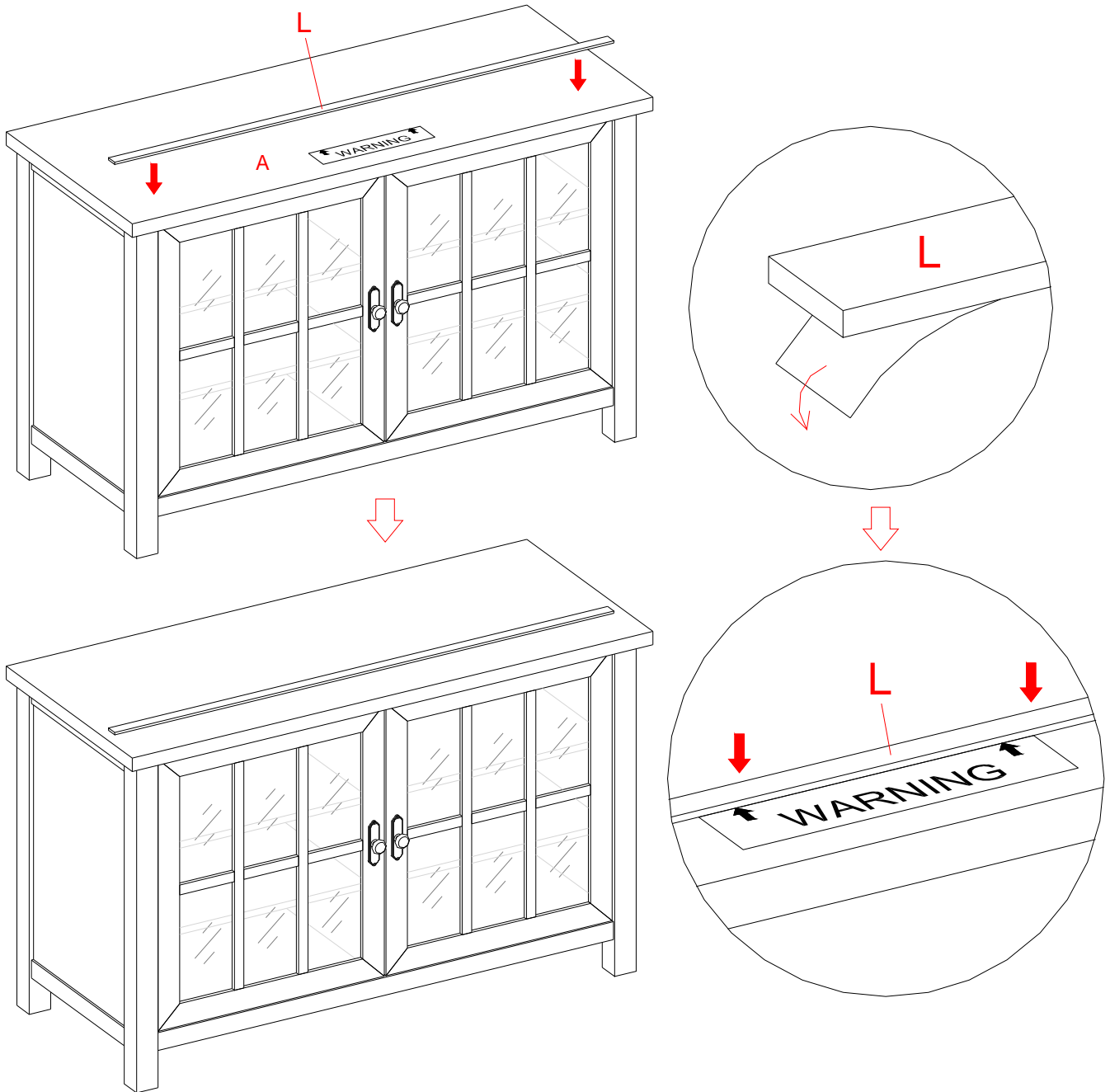
## Assembly Instructions



21. With the doors open, insert eight Shelf Supports (8) into the desired holes in the sides of each compartment behind the glass door. Make sure you place the four Shelf Supports in the same level so the shelf is not tilted. Tilt and rest the Adjustable Shelves (G) onto the Shelf Supports (8) with the finished edge facing the front of the unit.

22. Plug the Cam Lock Covers (9) onto the visible Cams Locks to conceal the Cams.

## Assembly Instructions

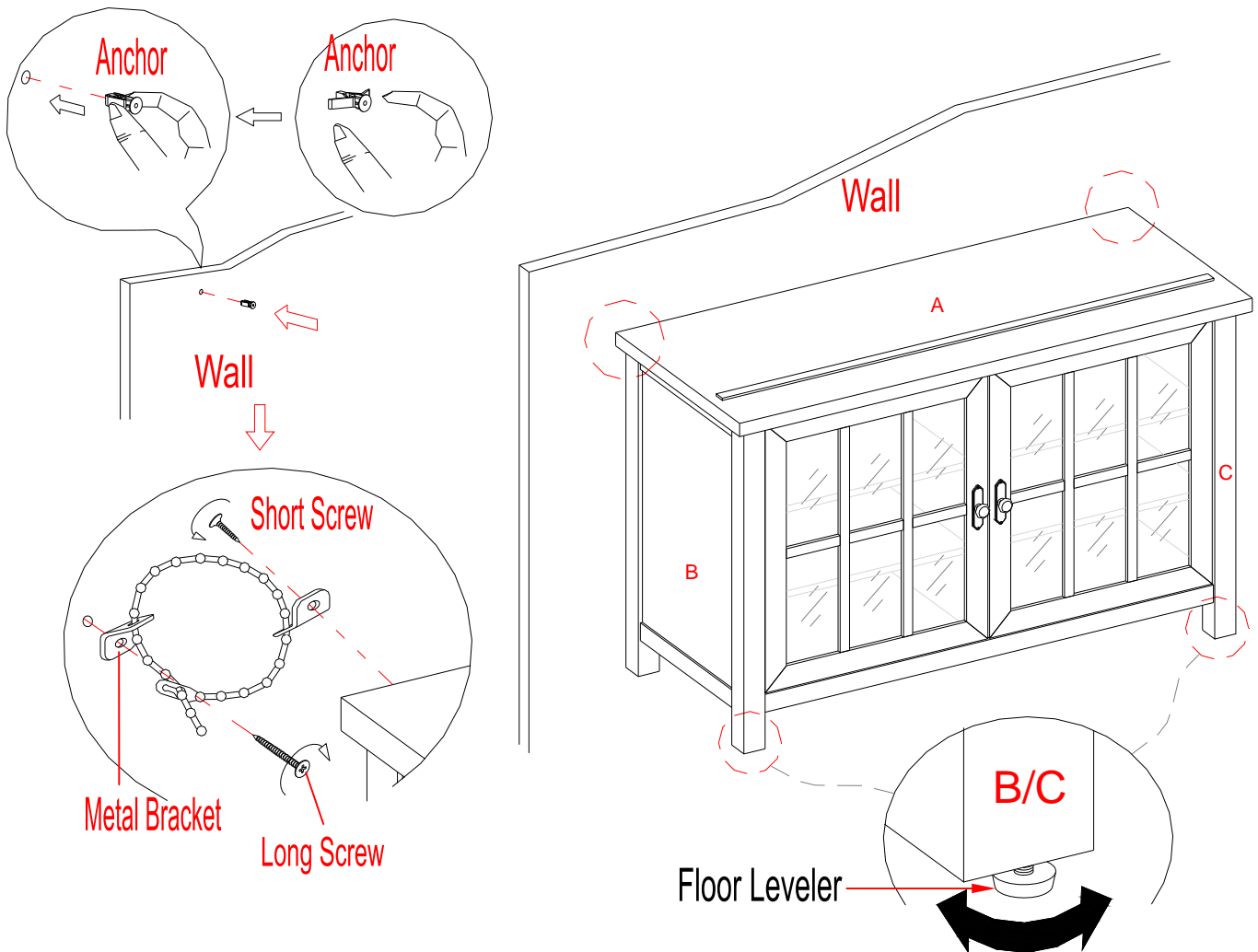


**NOTE:** You must install the Strip Stopper to prevent the TV from tipping when placing your flat panel television directly on the console.

23. Remove the paper backing of Stop Rail (L), then properly align the Stop Rail with the top edge of the stopper template on Top Panel (A). Press down on the Stop Rail to help adhesion.
24. Carefully remove the Stopper template from Top Panel (A).



## Assembly Instructions



Tools required: Phillips screwdriver, Power Drill, 3/8" Drill Bit and Rubber Mallet.

25. Ask for assistance to position the assembled unit at the desired location against a wall.
26. In case of uneven floors, the Floor Levelers are provided at the bottom of front legs for the necessary adjustment. To adjust the unit, simply tilt the unit back and then adjust the floor levelers by hand to correct tilting and/or level the doors.
27. Now, follow the instructions printed on the plastic bag containing the Tipping Restraint Hardware to attach the tip-over restraints to the unit and the wall, as shown in the illustration.

***NOTE:*** *Young children can be seriously injured by tipping furniture. You must install the Tipping Restraint Hardware with the unit to prevent the unit from tipping, causing any accidents or damage. The tipping restraints are intended only as a deterrent, they are not a substitute for proper adult supervision. The tipping restraints are not earthquake restraints. If you wish to add the extra security of earthquake restraints, they must be purchased and installed separately.*

## Care and Maintenance

- Use a soft, clean cloth that will not scratch the surface when dusting.
- Use of furniture polish is not necessary. Should you choose to use polish, test first in an inconspicuous area.
- Using solvents of any kind on your furniture may damage your furniture's finish.
- Never use water to clean your furniture as it may cause damage to the finish.
- Always use coasters under beverage glasses and flowerpots.
- Liquid spills should be removed immediately. Using a soft clean cloth, blot the spill gently. Avoid rubbing.
- Always use protective pads under hot dishes and plates. Heat can cause chemical changes that may create spotting within the furniture finish.
- Stains or marks from crayons or ink markers will be difficult to remove.
- In the event that your furniture is stained or otherwise damaged during use, we recommend that you call a professional to repair your furniture.
- Check bolts/screws periodically and tighten them if necessary.

## Further advice about wood furniture care

It is best to keep your furniture in a climate-controlled environment. Extreme temperature and humidity changes can cause fading, warping, shrinking and splitting of wood. It is advised to keep furniture away from direct sunlight as sun may damage the finish.

Proper care and cleaning at home will extend the life of your purchase. Following these important and helpful tips will enhance your furniture as it ages.

**A Touch-up Pen has been provided to repair any small nicks or scratches that may occur during assembly or shipping.**

We hope you enjoy your purchase for many years.  
Thank you for your purchase!

## QUALITY GUARANTEE

We are confident that you will be delighted with your Whalen Furniture purchase.

Should this product be defective in workmanship or materials or fail under normal use, we will repair or replace it for up to one (1) year from date of purchase. Every Whalen Furniture product is designed to meet your highest expectations. We guarantee that you will immediately see the value of our fine furniture.

This warranty gives you specific legal rights and you may also have other rights which vary from State to State.

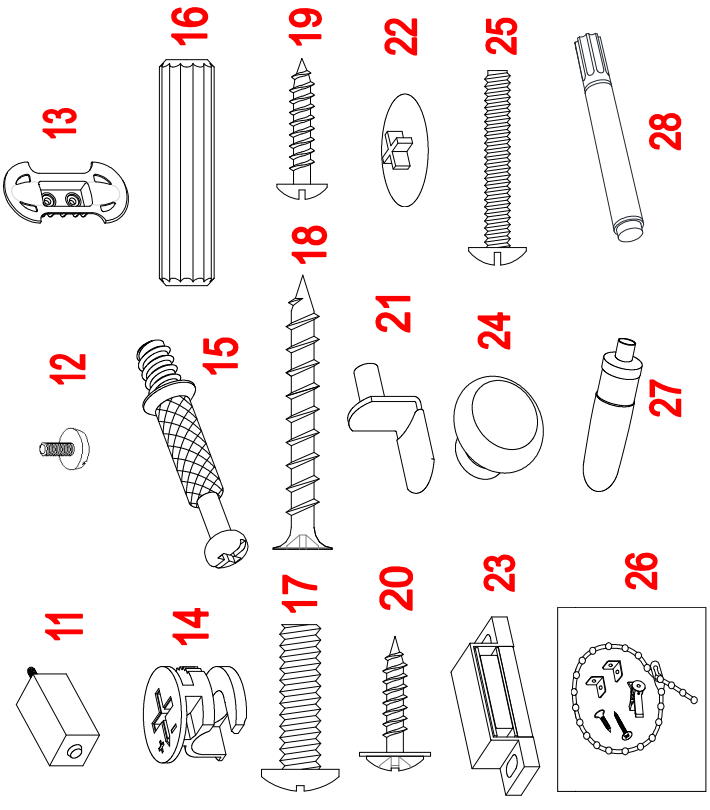
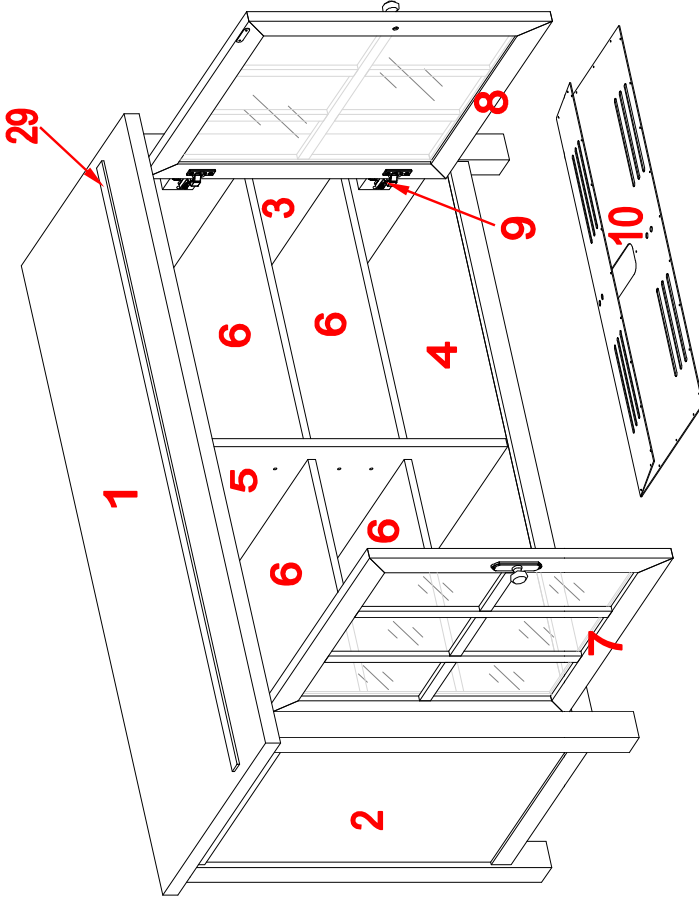
Customer Service: 1-866-942-5362

8:30 a.m. - 4:30 p.m., PST, Monday to Friday

**[www.whalenstyle.com](http://www.whalenstyle.com)**

**Please call for replacement parts or assistance: 1-866-942-5362**

**IF YOU NEED TO ORDER ANY REPLACEMENT PARTS, PLEASE USE THE LIST BELOW**  
**Oxford Square Media & Accent Cabinet (BH15-084-899-07)**



*BH15-084-899-07-1-TP	Top Panel	*BH15-084-899-07-16-M8x30WD	M8 x 30 mm Wood Dowel
*BH15-084-899-07-2-LSF	Left Side Frame	*BH15-084-899-07-17-3/4B	3/4" Bolt
*BH15-084-899-07-3-RSF	Right Side Frame	*BH15-084-899-07-18-1 1/2S	1-1/2" Screw
*BH15-084-899-07-4-BP	Bottom Panel	*BH15-084-899-07-19-#5x5/8PHS	#5 x 5/8" Pan Head Screw
*BH15-084-899-07-5-PP	Partition Panel	*BH15-084-899-07-20-#3x5/8WHS	#3 x 5/8" Washer Head Screw
*BH15-084-899-07-6-AS	Adjustable Shelf	*BH15-084-899-07-21-SS	Shelf Support
*BH15-084-899-07-7-LD	Left Door	*BH15-084-899-07-22-CLC	Cam Lock Cover
*BH15-084-899-07-8-RD	Right Door	*BH15-084-899-07-23-MC	Magnetic Catch
*BH15-084-899-07-9-EHS	Euro Hinge w/Screws	*BH15-084-899-07-24-K	Knob
*BH15-084-899-07-10-BP	Back Panel	*BH15-084-899-07-25-KB	Knob Bolt
*BH15-084-899-07-11-CSL	Center Support with Leveler	*BH15-084-899-07-26-TRHK	Tipping Restraint Hardware Kit
*BH15-084-899-07-12-FL	Floor Leveler	*BH15-084-899-07-27-G	Glue
*BH15-084-899-07-13-CW	Cable Wheel	*BH15-084-899-07-28-TUP	Touch-up Pen
*BH15-084-899-07-14-CL	Cam Lock	*BH15-084-899-07-CH	Complete Hardware
*BH15-084-899-07-15-CB	Cam Bolt	*BH15-084-899-07-29-SR	Stop Rail