

# FRIGIDAIRE

**FCRG3015AB  
FCRG3015AW**

**Available Colors :** Black, White

**Version :** 08/19

**Gas Ranges**

**30" Gas Range**



## Product Specifications

### Electrical Specifications

Power Supply Connection Location	Rear Centerline Lower
Min Circuit Required	12A
Voltage Rating	120V 60Hz

### Certifications & Approvals

ADA Compliant	No
Agency Approval	CSA Certified
Sabbath Mode (Star-K® Certified)	No

### Exterior Dimensions

Depth	25-3/4"
Height	46 - 9/16"
Width	29-7/8"

### Drawer

Drawer Functionality	Storage
Handle	Integrated

### General Specifications

Leveling Legs	4 Adjustable
PROP 65 Label	Yes

### Cooking Controls

Bake	Yes
Broil	Broil Variable
Clear Button	No
Up/Down Keypad	Yes
Self-Clean	No
Clock	Yes
Temperature Probe	No
Timed Cook Option	No
Timer	Yes
Timed Shut-off	No

### Oven Specifications

Oven 1 Bake	18000 BTU
Oven 1 Baking System	Even Baking Technology
Oven 1 Broil	1400 Watts
Oven 1 Broiling System	Vari-Broil™ High/Low
Oven 1 Cleaning System	Manual Clean
Oven 1 Interior Lighting	1 Incandescent
Oven 1 Interior Depth	19-1/8"
Oven 1 Interior Height	18-5/8"
Oven 1 Interior Width	24-3/8"
Oven 1 Rack Configuration	2 Standard
Oven 1 Rack Positions	6 positions
Capacity (Cu. Ft.)	5.0
Oven 1 Type	Main

### Cooktop

Cooking Surface	Sealed Burners
Grate Color	Black Gloss
Grate Material	Steel
Grates	Individual
Left Front	9500 BTU
Left Rear	9500 BTU
Right Front	14000 BTU
Right Rear	5000 BTU

### Finish

Control Panel Finish	Color-Coordinated Metal
Exterior Finish	Painted

Note: For planning purposes only. Always consult local and national electric, gas and plumbing codes. Refer to Product Installation Guide for detailed installation instructions on the web at [frigidaire.com/frigidaire.ca](http://frigidaire.com/frigidaire.ca). Specifications subject to change. Accessories information available on the web at [frigidaire.com/frigidaire.ca](http://frigidaire.com/frigidaire.ca)

FCRG3015AB  
FCRG3015AW

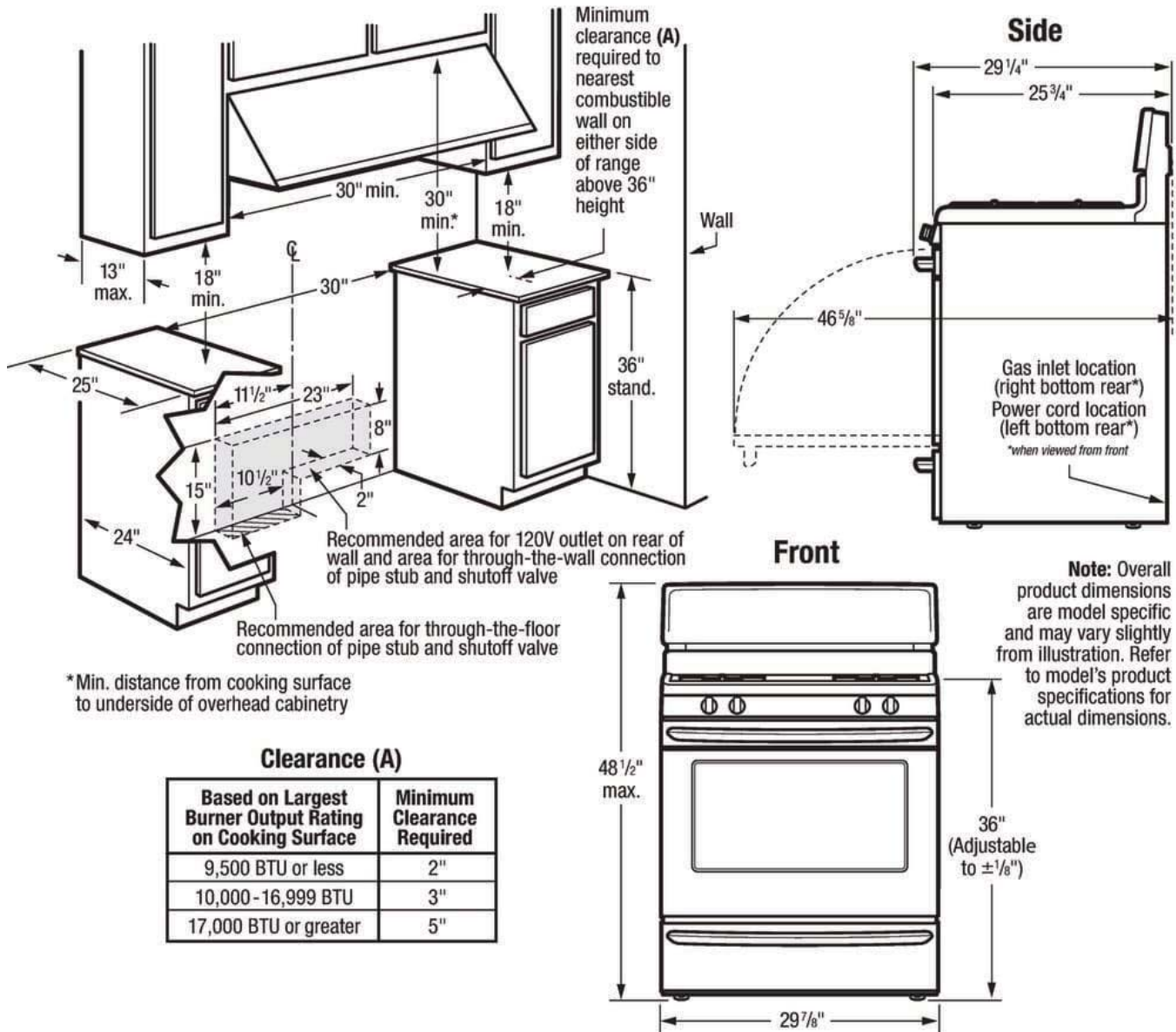
Gas Ranges

Available Colors : Black, White

30" Gas Range

Version : 08/19

## Installation Drawing



\*Min. distance from cooking surface to underside of overhead cabinetry

### Clearance (A)

Based on Largest Burner Output Rating on Cooking Surface	Minimum Clearance Required
9,500 BTU or less	2"
10,000 - 16,999 BTU	3"
17,000 BTU or greater	5"

Note: For planning purposes only. Always consult local and national electric, gas and plumbing codes. Refer to Product Installation Guide for detailed installation instructions on the web at [frigidaire.com](http://frigidaire.com) / [frigidaire.ca](http://frigidaire.ca). Specifications subject to change. Accessories information available on the web at [frigidaire.com](http://frigidaire.com) / [frigidaire.ca](http://frigidaire.ca).