



singing machine®

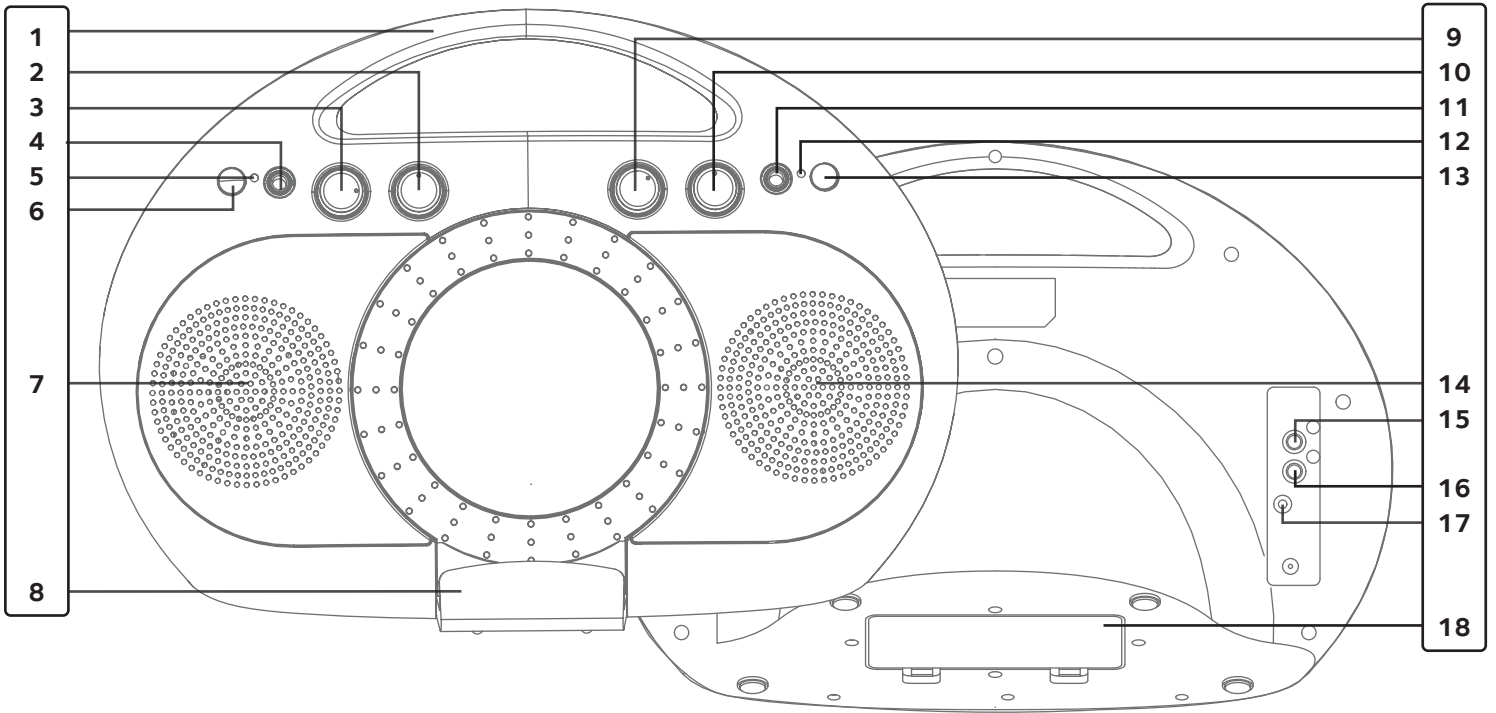
creating Joy through music

QUICK START GUIDE

Please refer to the Instruction Manual if provided for advanced operation.

ISM398BT/BG/GY/PB/PP

Portable Bluetooth® Karaoke System



FRONT VIEW

- 1. Carrying Handle
- 2. MIC VOLUME Control
- 3. ECHO Control
- 4. Mic 1 Jack
- 5. Power Indicator
- 6. Power ON/OFF Button
- 7. Left Speaker
- 8. Cradle
- 9. BALANCE Control
- 10. MASTER VOLUME Control

- 11. Mic 2 Jack
- 12. Bluetooth Indicator
- 13. PLAY/PAUSE/PAIR Button
- 14. Right Speaker

REAR VIEW

- 15. AUDIO OUT Left jack
- 16. AUDIO OUT Right jack
- 17. AUX IN jack
- 18. Battery Compartment (bottom of unit)

CONNECTING THE MICROPHONES

Insert a microphone's plug into the Mic 1 jack **1**. Insert the other microphone's plug into the Mic 2 jack **2** (if desired).

Note: Do not drop or tap the mic, as damage to the mic or speakers may occur. Do not spin the microphone around for the same reason.

