

# FRIGIDAIRE GALLERY

## FGMC3066U D/F

### MICROWAVE COMBINATION OVENS 30" ELECTRIC

Smudge-Proof  
STAINLESS STEEL

Smudge-Proof  
BLACK STAINLESS STEEL



#### AVAILABLE COLORS



Black  
Stainless



Stainless

#### PRODUCT DIMENSIONS

Height (Max.) 41-1/4"

Width 30"

Depth 24-3/4"

#### MORE EASY-TO-USE FEATURES

##### Smudge-Proof® Stainless Steel

Resists fingerprints and cleans easily. Available in Stainless Steel and Black Stainless Steel finishes.

##### Our Largest Capacity Oven

Cook more at once with 5.1 cubic feet of oven capacity.

##### Over 30 Setting Options

Offers multiple settings to meet your cooking needs, including chicken nuggets and snacks.

##### Easy to Clean with Self-Cleaning

Your oven cleans itself - so you don't have to. Self clean options available in 2, 3, and 4-hour cycles.

##### Effortless™ Reheat

Reheat almost anything at the touch of a button.

##### One-Touch Keep Warm Setting

Just one touch of a button keeps food warm until everything - and everyone - is ready.

##### Delay Clean Option

Set the oven to begin cleaning on your schedule.

##### Steam Cleaning

A 30-minute light oven cleaning that's chemical-free, odor-free, and fast.

#### CERTIFICATIONS

Star-K® Certified (*Sabbath Mode*)

#### SIGNATURE FEATURES

##### Faster, More Even Baking Results with True Convection

Get faster, more even multi-rack baking with a powerful convection fan and third heating element that evenly circulates hot air throughout the oven.

##### Effortless™ Temperature Probe

The Effortless™ Temperature Probe detects and alerts when the desired finished cooking temperature has been reached and automatically switches to the keep warm setting.

##### Quick Preheat

Preheat in just a few minutes.<sup>1</sup>

##### Sensor Cooking Options

Microwave automatically adjusts power levels and cooking times to cook a variety of items, effortlessly.

<sup>1</sup> Based on single rack cooking performance, not set temperature, using Quick Preheat.

# FGMC3066U D/F MICROWAVE COMBINATION OVEN

30" ELECTRIC

FRIGIDAIRE  
GALLERY

## FEATURES

Control/Timing System	Express-Select® Controls
Exterior Door Finish	Smudge-Proof® Stainless Steel (F), Smudge-Proof® Black Stainless (D)
Handle Design	Stainless Steel (F), Black Stainless (D)

## MICROWAVE FEATURES

Microwave Capacity (Cu. Ft.)	1.6
Watts (IEC-705 Test Procedure)	1,100
Window	Large
Interior Light	Yes
Interior Color	White
Turntable Diameter	13.5"
Turntable On / Off	
Control Lock / Clock	Yes/Yes
Touch Pad Buttons / Power Levels	28/11

## MICROWAVE CONTROL OPTIONS

Popcorn Button	Yes
Veggies Button (Fresh/Frozen)	2
Potato Button	Yes
Reheat Button	Yes
Auto Melt / Soften Options	4
Auto Reheat Options	3
Auto Cook Options	3
Auto Defrost Options	3
Add-30-Seconds	Yes
Sensor Cooking Options	4
Delay Start / User Preferences	Yes/Yes

## OVEN FEATURES

Capacity (Cu.Ft.)	5.1
Oven Window	Large
Oven Lights	2 Halogen
Hidden Bake Element	Yes
Convection System	True Convection
Baking System	Even Baking Technology
Broiling System	Vari-Broil™ (Hi/Lo)
Quick Preheat	Yes
Bake / Broil Element (Watts)	2,200 / 4,000
Oven Rack Configuration	1 Extension Glide Rack / 1 Handle Rack
Oven Cleaning System	Self Clean / Steam Clean

## OVEN CONTROLS

Control Lock	Yes
Delay Start	Yes
Convection Conversion	Effortless™
Effortless™ Temperature Probe	Yes
Keep Warm / Add-a-Minute	Yes/No

## OPTIONAL ACCESSORIES

3"-High Bottom Trim - Stainless Steel (F) / Black Stainless Steel (D)	(F) PN # 5304520627 (D) PN # 5304520624
10'-Long Armored Power Cable	PN # 903056-9010

## CERTIFICATIONS

Star-K® Certified (Sabbath Mode)	Yes
----------------------------------	-----

## SPECIFICATIONS

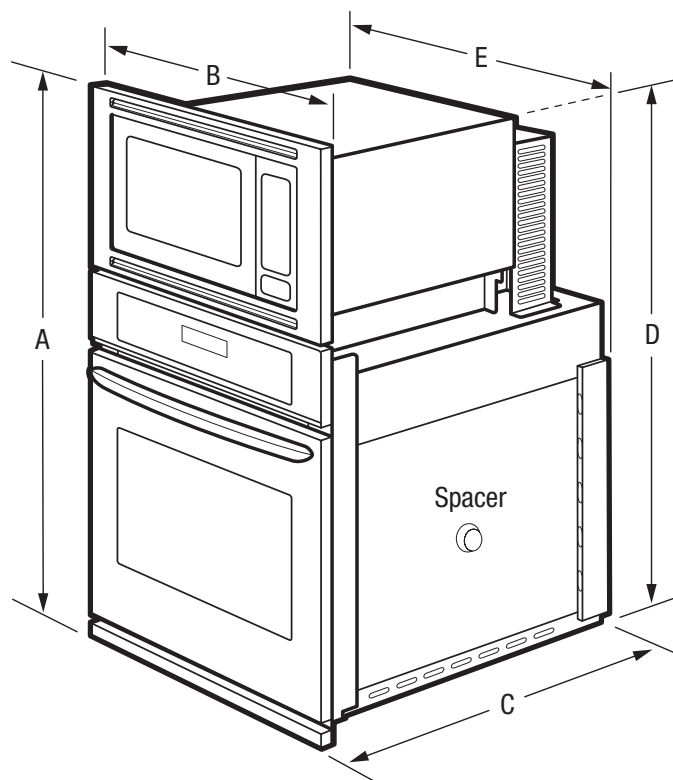
Microwave Oven Interior ( H x W x D )	10-1/2" x 17-3/8" x 18-5/8"
Oven Interior ( H x W x D )	18-5/8" x 24-1/8" x 19-1/2"
Power Supply Connection Location	Left Bottom Rear
Voltage Rating	240V / 208V / 60Hz
Connected Load (kW Rating) @ 240 / 208 Volts <sup>1</sup>	7.9 / 5.9
Amps @ 240 / 208 Volts	30.38 / 35.25
Minimum Circuit Required (Amps)	30
Shipping Weight (Approx.)	300 Lbs.

## PRODUCT DIMENSIONS

A - Height (Max.)	41-1/4"
B - Width	30"
C - Depth	24-3/4"
D - Height (Wrapper)	40 4/5"
E - Width (Wrapper)	28-1/4"
Depth with Door Open 90°	45-1/8"

## CABINET CUTOUT DIMENSIONS

Height (Min.) / (Max.)	41-1/8" / 41-1/4"
Width (Min.) / (Max.)	28-1/2" / 29"
Depth (Min.)	23-3/4"



<sup>1</sup>Single phase 3- or 4-wire cable, 120 / 240 or 120 / 208 Volt, 60 Hertz AC only electrical supply with ground required on separate circuit fused on both sides of line.

**Note:** For planning purposes only. Always consult local and national electric, gas and plumbing codes. Refer to Product Installation Guide for detailed installation instructions on the web at [frigidaire.com](http://frigidaire.com) / [frigidaire.ca](http://frigidaire.ca).

Specifications subject to change. Accessories information available on the web at [frigidaire.com](http://frigidaire.com) / [frigidaire.ca](http://frigidaire.ca)

FRIGIDAIRE

USA • 10200 David Taylor Drive • Charlotte, NC 28262 • 1-800-FRIGIDAIRE • [frigidaire.com](http://frigidaire.com)  
CANADA • 5855 Terry Fox Way • Mississauga, ON L5V 3E4 • 1-800-265-8352 • [frigidaire.ca](http://frigidaire.ca)

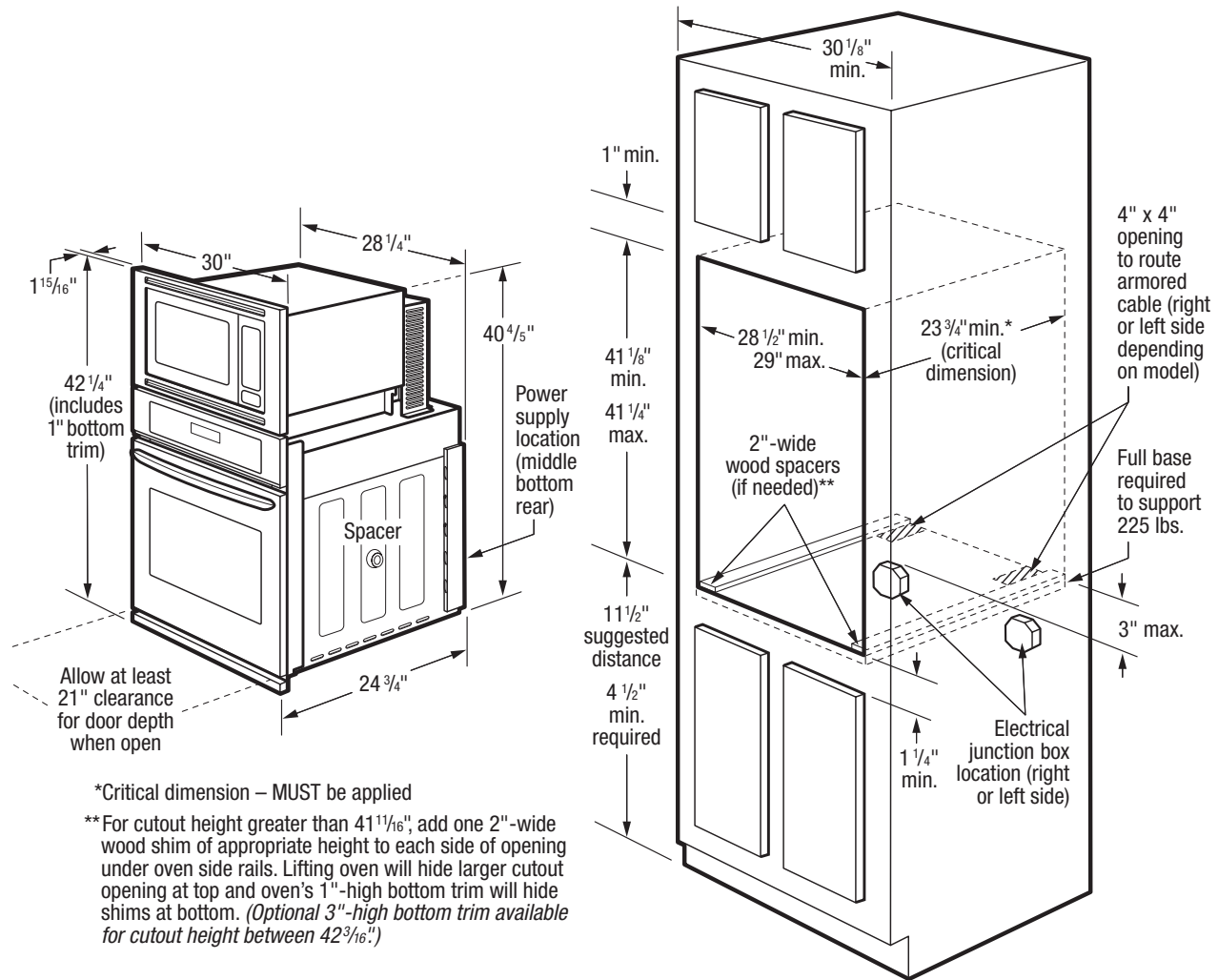
FGMC3066U 02/19

©2019 Electrolux Home Products, Inc.

# FGMC3066U D/F MICROWAVE COMBINATION OVEN

30" ELECTRIC

FRIGIDAIRE  
GALLERY



## INSTALLATION SPECIFICATIONS

- Product Shipping Weight (approx.) - 300 Lbs.
- Single phase 3- or 4-wire cable, 120 / 240 or 120 / 208 Volt, 60 Hertz AC only electrical supply with ground required on separate circuit fused on both sides of line.
- Connected Load (kW Rating) @ 240 / 208 Volts = 7.9 / 5.9 kW
- Amps @ 240/208 Volts = 30.38 / 35.25
- Recommended Circuit Breaker - 30 Amps
- Always consult local and national electric codes.
- Minimum 21" clearance for oven door depth when open.
- Suggested distance from floor is 11-1/2". Minimum required distance is 4-1/2".
- To adapt Microwave Combination Oven to fit cutout height greater than 41-11/16", add one 2"-wide wood shim of appropriate height to each side of opening under oven side rails. Lifting oven will hide larger cutout opening at top and oven's 1"-high bottom trim will hide shims at bottom. (Standard 1"-High Bottom Trim included.)

- To adapt Microwave Combination Oven to fit cutout height greater than 42-3/16", optional 3"-High Bottom Trim available.
- Minimum 24" deep cutout dimension is critical for proper installation, to ensure that oven's faceplate will fit flush against cabinet front.
- Full oven base of solid plywood or similar material required, capable of supporting 225 Lbs.
- Base must be level and cabinet front must be square.
- Microwave Combination Ovens are NOT approved to be used in stackable or side-by-side installation.

### OPTIONAL ACCESSORIES

- 3"-High Stainless Steel Bottom Trim - (PN # 5304520627).
- 3"-High Black Stainless Bottom Trim - (PN # 5304520624).
- 10'-Long Armored Power Cable - (PN # 903056-9010).



FRIGIDAIRE

USA • 10200 David Taylor Drive • Charlotte, NC 28262 • 1-800-FRIGIDAIRE • frigidaire.com  
CANADA • 5855 Terry Fox Way • Mississauga, ON L5V 3E4 • 1-800-265-8352 • frigidaire.ca

*Note: For planning purposes only. Always consult local and national electric, gas and plumbing codes. Refer to Product Installation Guide for detailed installation instructions on the web at frigidaire.com / frigidaire.ca. Specifications subject to change. Accessories information available on the web at frigidaire.com / frigidaire.ca*

FGMC3066U 02/19  
©2019 Electrolux Home Products, Inc.