



All Refrigerator

FFRU17B2QW

Frost Free
16.6 Cu. Ft.



Product Dimensions

| | |
|---------------------------|----------|
| Height (Including Hinges) | 67-11/16 |
| Width | 34" |
| Depth (Including Door) | 28-1/2" |

More Easy-To-Use Features

Adjustable Temperature Control
Select the correct temperature for your needs.

Color-Coordinated Handle

5 Fixed Door Racks

1 Trivet

Available in:



White
(W)

Signature Features

Frost-Free Operation

Never defrost your refrigerator again so you can spend time on more important things.

Ready-Select® Controls

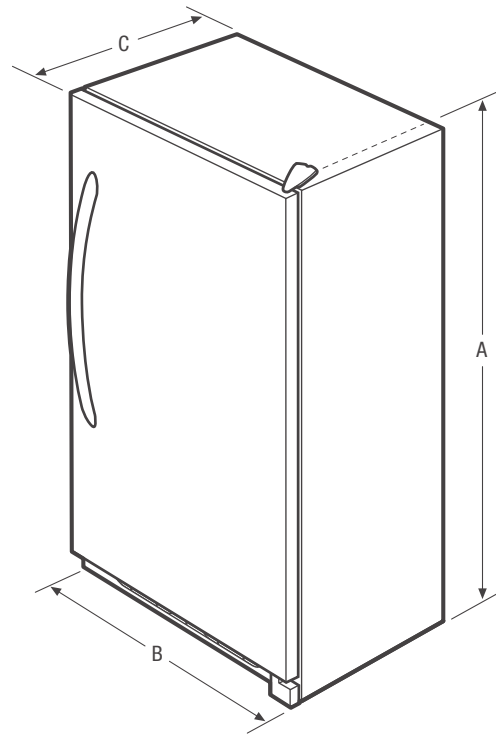
Easily select options with the touch of a button.

Bright Lighting

Our bright lighting makes it easy to see what's inside.

| Features | |
|---|-------------------|
| Door Handle Design | UltraSoft™ |
| Reversible Door | |
| Automatic Door Closer | Yes |
| Leveling Legs | Yes |
| Adjustable Temperature Control | Mechanical Dial |
| Defrost | Frost Free |
| Temp Display Mode | 1 - 7 |
| Full-Width Shelves | 3 Adjustable Wire |
| Slide-Out Wire Baskets | |
| Interior Lighting | Bright |
| Door Bins | |
| Door Racks | 5 Full-Width |
| Fixed Door Shelf Retainers | |
| Certifications | |
| CSA Rating | Household |
| Specifications | |
| Total Capacity (Cu. Ft.) | 16.6 |
| Shelf Area (Sq. Ft.) | 18.2 |
| Annual Energy (kWH) | 479 |
| Annual Energy Cost (.12/kWH) | \$57 |
| Power Supply Connection Location | Right Bottom Rear |
| Voltage Rating | 115V, 60Hz, 15A |
| Connected Load (kW rating) @ 115 Volts ¹ | 0.6 |
| Amps @ 115 Volts | 5 |
| Minimum Circuit Required (Amps) | 15 |
| Shipping Weight (Approx.) | 201 Lbs. |

¹An electrical supply with grounded three-prong receptacle is required. The power supply circuit must be installed in accordance with current edition of National Electrical Code (NFPA 70) and local codes & ordinances.

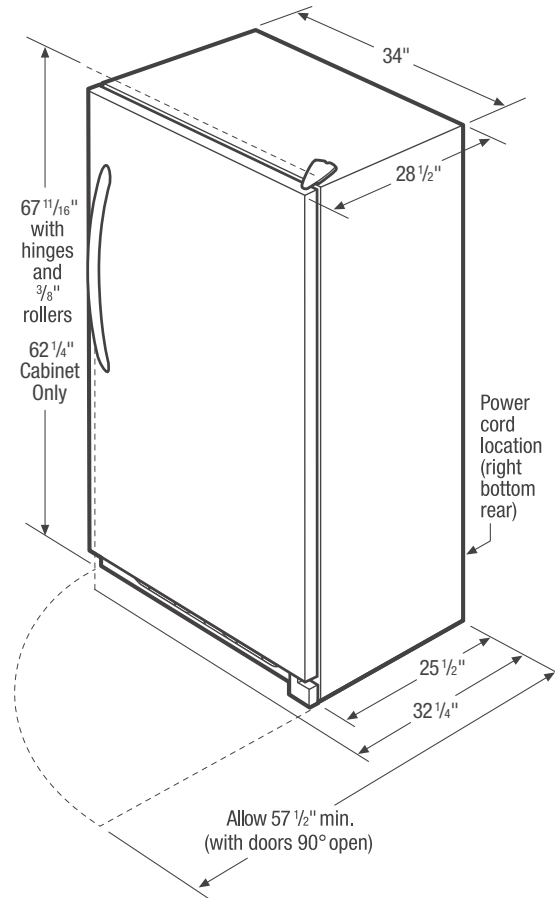
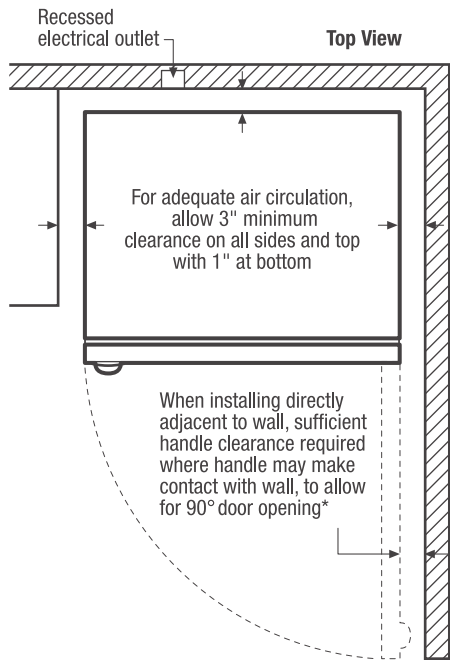


NOTE: For planning purposes only. Always consult local and national electric and plumbing codes. Refer to Product Installation Guide for detailed installation instructions on the web at frigidaire.com.



| Product Dimensions | |
|-------------------------------|-----------|
| A - Height (Including Hinges) | 67-11/16" |
| B - Width | 34" |
| C - Depth (Including Door) | 28-1/2" |
| D - Depth with Door Open 90° | 60-1/4" |

Accessories information available on the web at frigidaire.com



* When installing refrigerator adjacent to wall, cabinet or other appliance that extends beyond front edge of unit, 20" minimum clearance recommended to allow for optimum 140° door swing, providing complete basket access and removal. (Absolute 3" minimum clearance will ONLY allow for 90° door swing which will provide limited basket access with restricted removal.)

All Refrigerator Specifications

- Product Shipping Weight (approx.) - 201 Lbs.
- An electrical supply with grounded three-prong receptacle is required. The power supply circuit must be installed in accordance with current edition of *National Electrical Code (NFPA 70)* and local codes & ordinances.
- Voltage Rating - 115V
- Connected Load (kW Rating) @115 Volts = 0.6 kW
- Amps @115 Volts = 5 Amps
- Always consult local and national electric codes.
- For adequate air circulation, allow 3" minimum clearance on all sides and top with 1" at bottom.

- When installing refrigerator adjacent to wall, cabinet or other appliance that extends beyond front edge of unit, 20" minimum clearance recommended to allow for optimum 140° door swing, providing complete basket access and removal. (Absolute 3" minimum clearance will ONLY allow for 90° door swing which will provide limited basket access with restricted removal.)
- Locate where surrounding air temperature will not exceed 110° F, to ensure optimum performance. (Temperatures 32° F and below will NOT affect operation.)
- All bottom corners of unit MUST rest firmly on solid level surface of hard material, same height as flooring. Surface must be strong and stable enough to support unit when fully loaded.
- Equipped with adjustable leveling legs to ensure unit is level, which is required in order to function properly.

Note: For planning purposes only. Refer to Product Installation Guide on the web at frigidaire.com for detailed instructions.

Use these dimensions and clearance instructions for planning purposes only. For detailed installation instructions, refer to installation guide, packed with product, or on the web at frigidaire.com.

