

THIS INSTRUCTION BOOKLET CONTAINS  
**IMPORTANT** SAFETY INFORMATION, PLEASE  
READ AND KEEP FOR FUTURE REFERENCE.

Lot Number: \_\_\_\_\_

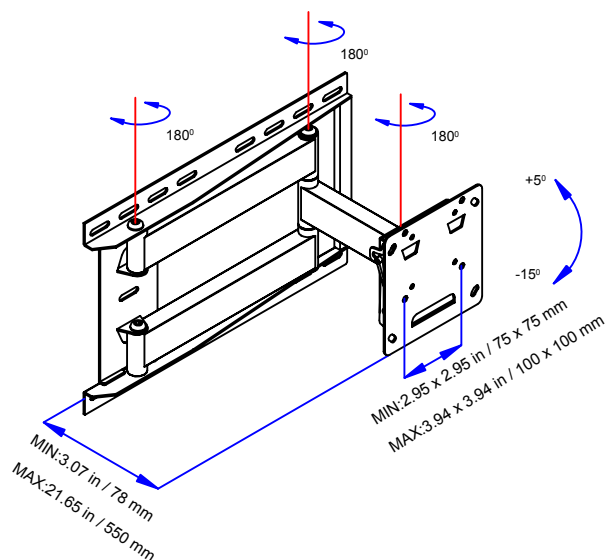
Date: \_\_\_\_\_



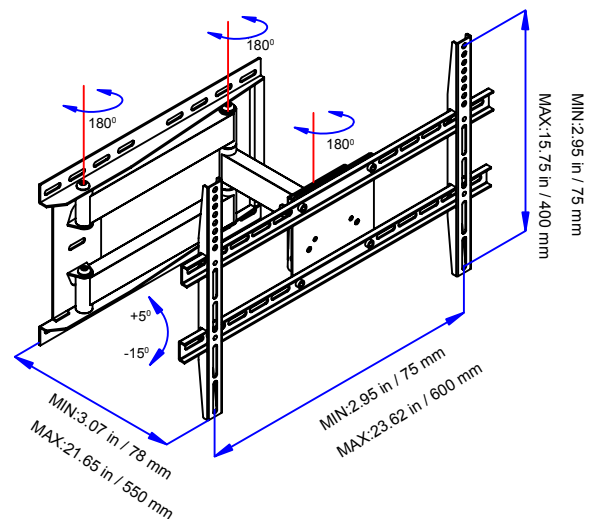
# Articulating TV Wall Mount for 37" to 64" Flat Panel TVs

Model No: DCD13019

Option 1



Option 2



**Product Warranty:** The Manufacturer, warrants to the original purchaser that its products are free from defect in materials or workmanship. If after inspection, we find that the product was defective in materials or workmanship, we shall repair or replace the product at our discretion. This warranty does not cover accidental damage, misuse, improper care or alteration and excludes claims for incidental or consequential loss. This limited warranty applies to product purchased in the U.S. and Canada. This warranty gives you specific legal rights and you may also have other rights which vary from State to State. The warranty duration is one year.

Keep this Instruction Manual for future reference.

Keep your original proof of purchase (store receipt).

If parts are missing, DO NOT return to the store.

To order missing / replacement parts or for assembly assistance please contact [customerrelations@tvmountsnow.com](mailto:customerrelations@tvmountsnow.com)

Or call **1-855-828-5679** M-Th, 8am-5pm, Fri, 8am-12pm, P.S.T.

# Assembly Tips:

Become familiar with the instructions and all parts.

Make sure that all parts are in the box and in good condition.

Assemble the product on the open flat carton or a rug to protect the product and your floor.

Some heavy products need a second person to assist in the assembly.

Do not install on a sloping surface.

With each step, first insert and hand-tighten all bolts and screws by hand. After **ALL BOLTS** are slightly screwed in, fully tighten bolts with Phillips screwdriver in sequential pattern.



## Caution:

Never let children climb on product or play with product.

Do not sit or stand on furniture.

Do not fasten a TV to the mount that is heavier than the recommended load rating.

If you do not understand these instructions, or have doubts about the safety of this installation, contact customer service or call a qualified contractor. The manufacturer is not liable for damage or injury caused by incorrect mounting, assembly or use.

The unit will hold a 37 to 64 in (93.98 to 162.56 cm) Plasma or LCD TV. The weight of the TV must not exceed 132 lbs (60 kgs). The wall must be capable of supporting five times the weight of the TV plus the mount.

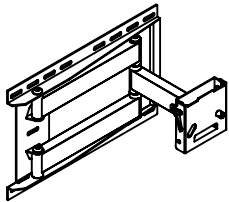
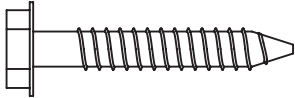


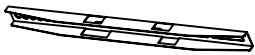
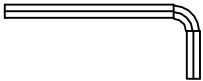

Improper handling can result in cuts and lacerations.

Images are for reference only.

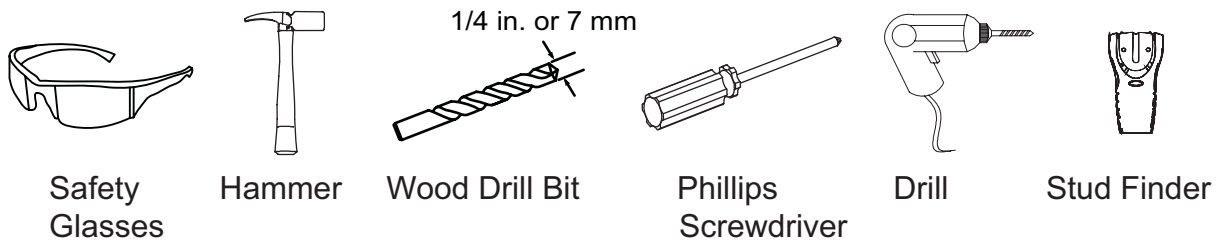
## Care Instructions:

Use electrostatic dust cloths to clean product surfaces.

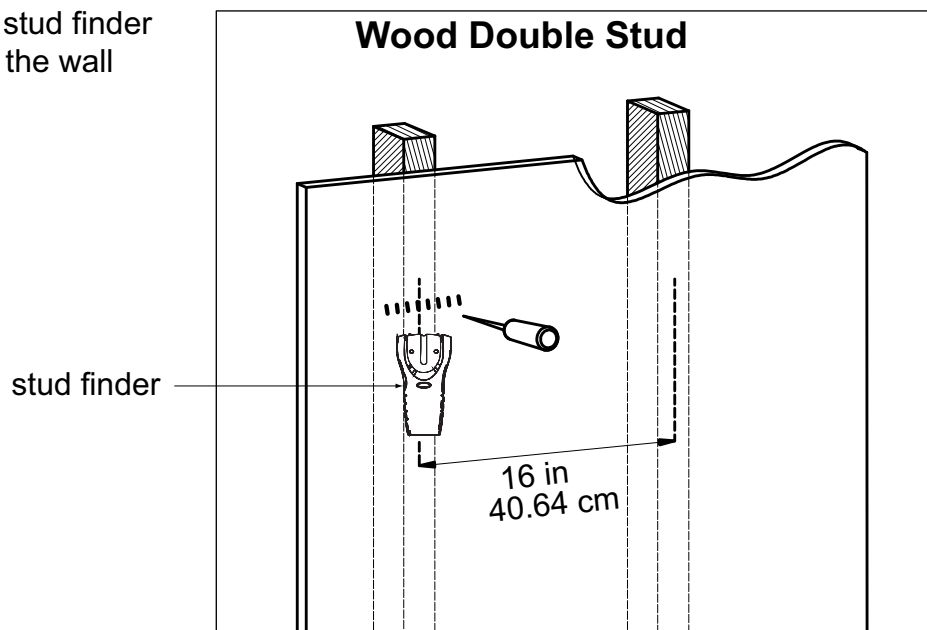
# Parts List

Item	Components	Qty	Item	Components	Qty
A		1	F		4
B		1	G		8
C		2	H		1
D		2			

## Tools Needed (Not Included)



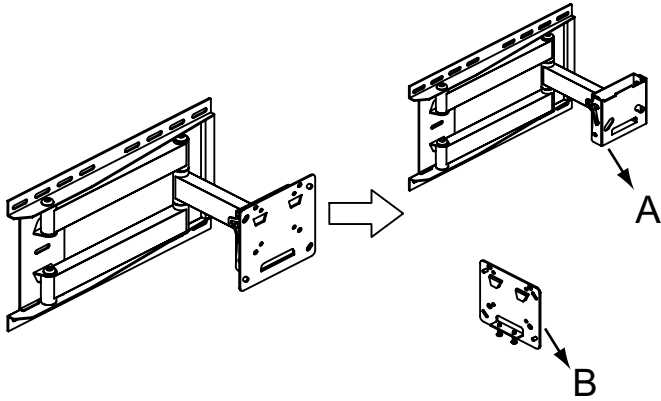
**Note:** Please use wood stud finder to find the stud in the wall before assembly.



PLEASE CHOOSE BEST INSTALLATION OPTION BASED ON TV BACK PANEL HOLE SPACING:

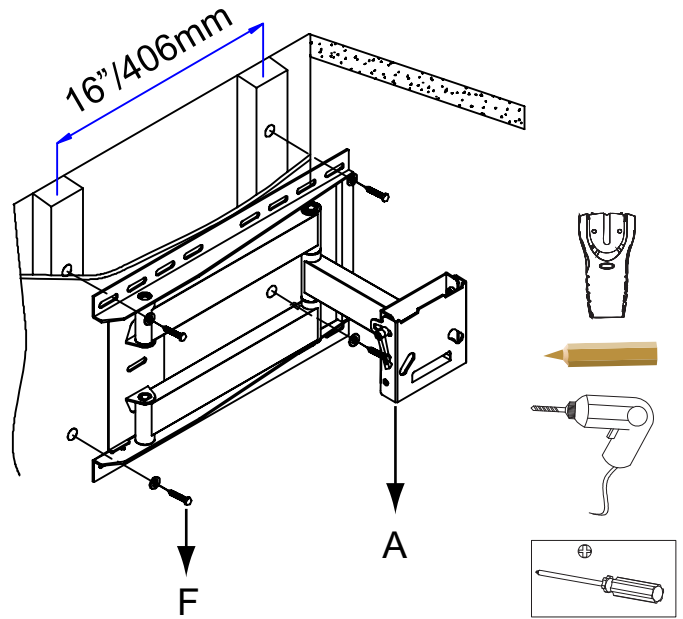
**OPTION 1:** 2.95 in x 2.95 in / 75 mm x 75 mm or 3.94 in x 3.94 in / 100 mm x 100 mm

**1**



Remove TV mounting plate (B) from wall bracket (A).

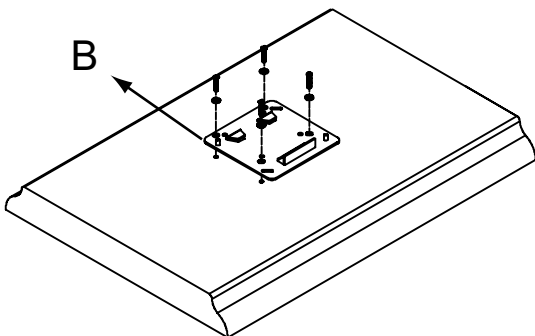
**2**



This mount is designed to be attached into wood studs. **DO NOT use wall anchors.** Using a stud finder, find the center of two adjacent studs. With a pencil, mark the hole locations at the desired height, making sure you are level. Use wall bracket (A) as a template to mark the two remaining holes. Drill pilot holes at 4 pencil marks 2.5 in. (64mm) deep, using a 1/4 in. or 7 mm diameter drill bit.

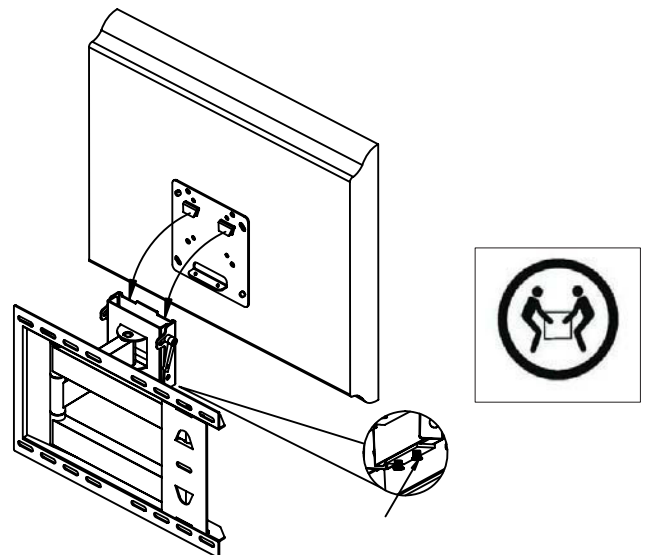
Attach wall bracket (A) to the wall with 4 washers and screws (F).

**3**



Attach TV mounting plate (B) to the back of the TV, by selecting mounting hardware and then using instructions on page 5.

**4**

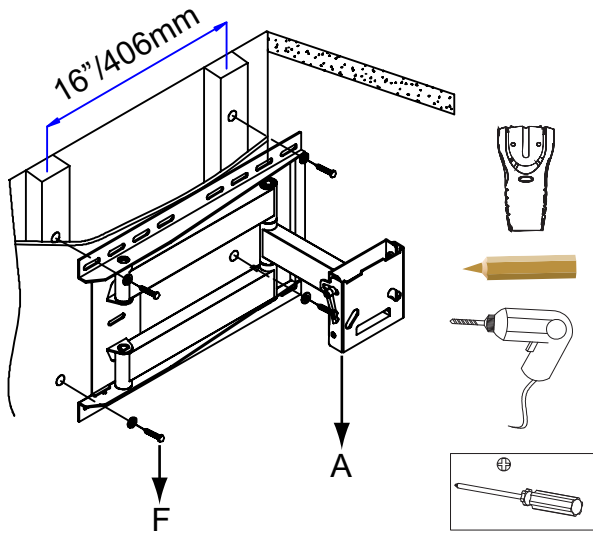


We strongly recommend two people, one on each side, hold the TV. Carefully position the TV over the wall bracket (A) until it locks in place. Tighten safety screws.

PLEASE CHOOSE BEST INSTALLATION OPTION BASED ON TV BACK PANEL HOLE SPACING:

**OPTION 2:** (7.87 to 23.6) in x 15.7 in / (200 to 600) mm x 400 mm

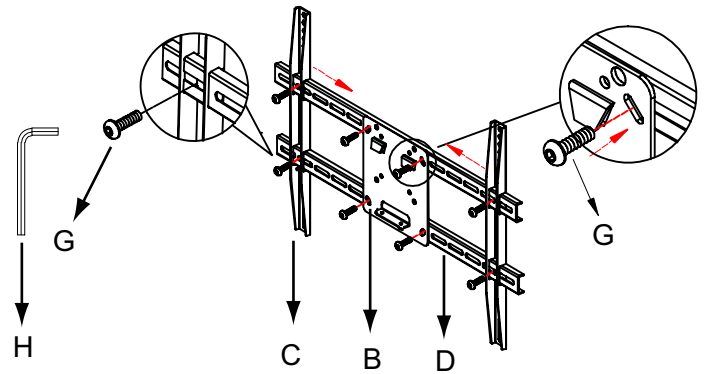
**1**



This mount is designed to be attached into wood studs. **DO NOT use wall anchors.** Using a stud finder, find the center of two adjacent studs. With a pencil, mark the hole locations at the desired height, making sure you are level. Use wall bracket (A) as a template to mark the two remaining holes. Drill pilot holes at 4 pencil marks 2.5 in. (64mm) deep, using a 1/4 in. or 7 mm diameter drill bit.

Attach wall bracket (A) to the wall with 4 washers and screws (F).

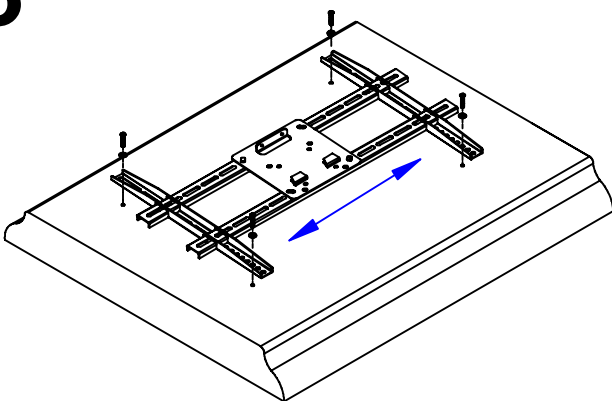
**2**



Measure the hole spacing on the back of your TV. Position two TV mounts (C) onto horizontal attachment arms (D) at the same spacing. Using Allen wrench (H), attach both TV mounts (C) to attachment arms (D) with 4 screws (G).

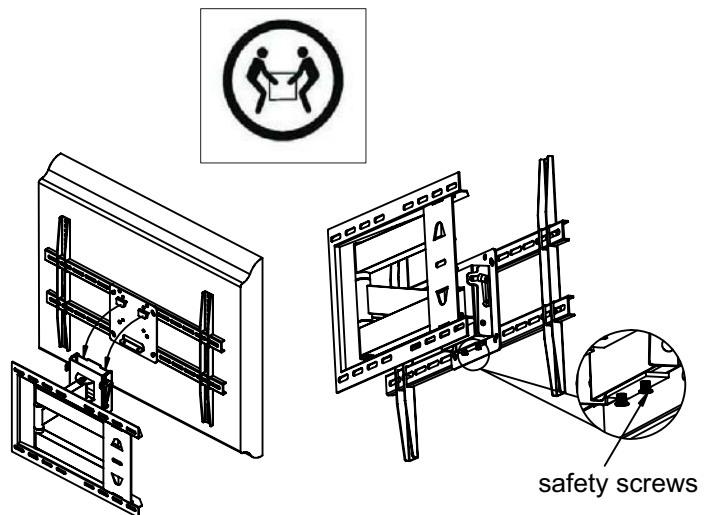
Using Allen wrench (H), attach TV mounting plate (B) to attachment arms (D) with 4 screws (G).

**3**



Attach TV mounting assembly from **Step 2** to the back of the TV, by selecting mounting hardware and then using instructions on page 5.

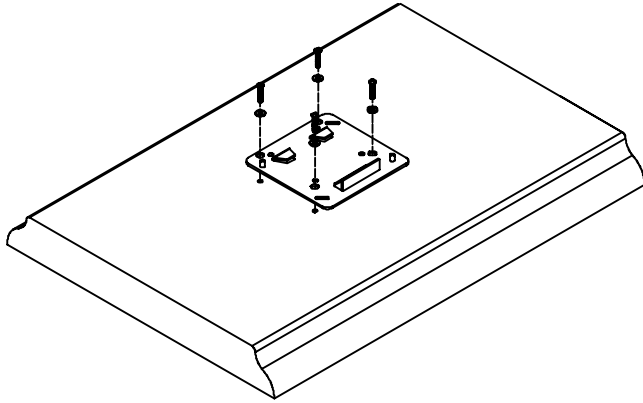
**4**



We strongly recommend two people, one on each side, hold the TV. Carefully position the TV over the wall bracket (A) until it locks in place. Tighten safety screws.

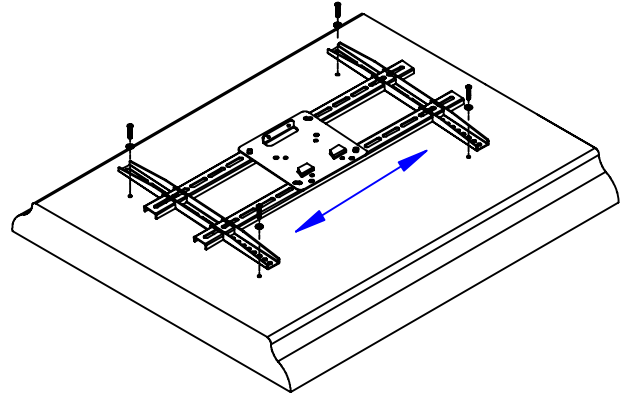
## OPTION 1

2.95 in x 2.95 in / 75 mm x 75 mm  
3.94 in x 3.94 in / 100 mm x 100 mm



## OPTION 2







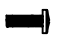



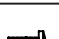

(7.87 to 23.6) in x 15.7 in  
(200 to 600) mm x 400 mm



TAKE EXTRA CARE AND PAY ATTENTION WHEN YOU FASTEN THE TV MOUNT(S) TO THE BACK TV PANEL IN **STEP 3**. MAKE SURE TO USE THE APPROPRIATE MOUNTING HARDWARE FOR YOUR TV.

1. Select the correct Mounting Hardware according to the screw hole size on your TV. Discard any remaining screws and spacers.
2. Carefully lay your TV face down on a non-abrasive surface, laying padding underneath it to protect the screen.
3. **OPTION 1:** Place the TV plate (B) in the appropriate position, making sure it is **CENTERED** on the back of TV and **LEVEL**.

**OPTION 2:** Place the right and left TV mounts in their appropriate positions, making sure they are **CENTERED** on the back of the TV and **LEVEL** with one another.

Mounting Hardware List			Q'ty	Mounting Hardware List			Q'ty
I		M8 X 16	4	Q		M4 / M5 washer	4
J		M6 X 12	4	R		M6 / M8 washer	4
K		M5 X 12	4	S		M8 / M6 spacer	4
L		M4 X 12	4	T		M4 / M5 spacer	4
M		M8 X 40	4				
N		M6 X 35	4				
O		M5 X 30	4				
P		M4 X 30	4				